

Weatherseal[®]
Stylized to Perfection

European Windows and Doors

by

asianpaints

PRODUCT CATALOGUE

Aluminium Windows
and Doors



www.weatherseal.com





Table of Content

Weatherseal by Asian Paints	03
Company Milestones	04
Weatherseal at a glance	05
Why choose Weatherseal	06
Sliding Doors and Windows System	07
Casement Doors and windows System	19
Folding Doors Systems	23

Next Generation Doors & Windows

Weatherseal came into existence in the year 2015. In 2022, Asian Paints collaborated with Weatherseal, a pioneer provider of uPVC Window and Door systems, and System Aluminium with European expertise. This partnership offers an ideal alternative to traditional doors and windows, which is well-suited for environmental protection. The systems are technologically advanced, visually appealing, and secure, providing unparalleled efficiency and world-class quality.



Weatherseal, having delivered more than 5 million square feet of windows and a production capacity of 360 windows per day, with factories set up in Karnataka and Haryana. A trusted choice for architects and leading builders like Prestige Group, Brigade Group, SNN Builders, Mahindra, L&T and Shriram Group across India.

Company Milestones

2015

Founded

Multiple high-rise and residential projects undertaken and executed

2016

2018

Multiple experiential retail stores and dealers expansion

Partnered with Asian Paints
PAN India Expansion

2022

Weatherseal at a glance



Successful
Installation of
5 Million Sqft.



Professional
Installation



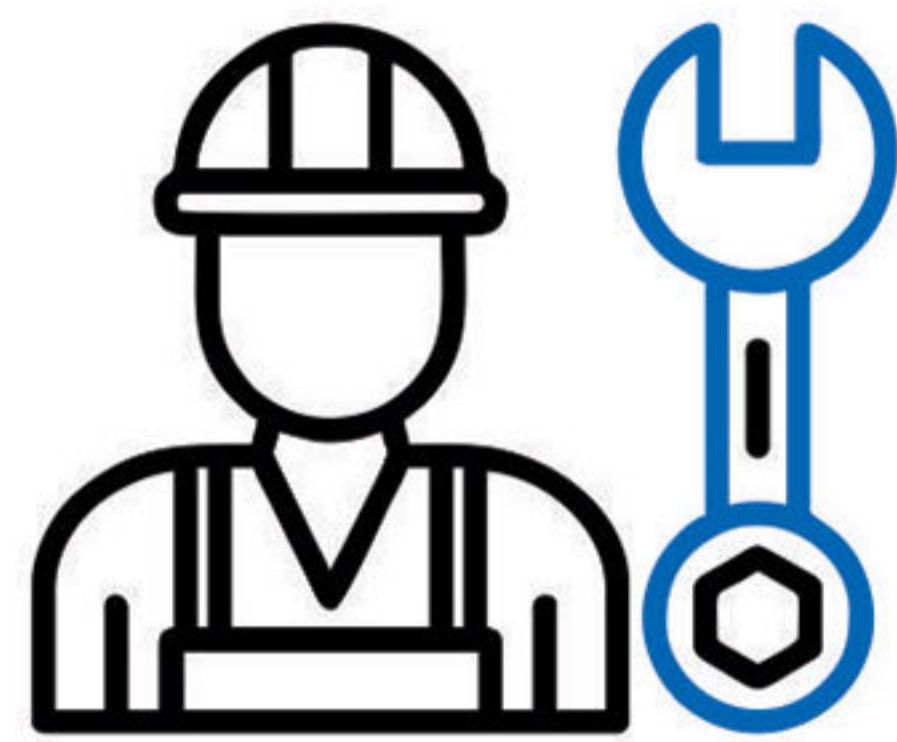
International
Design



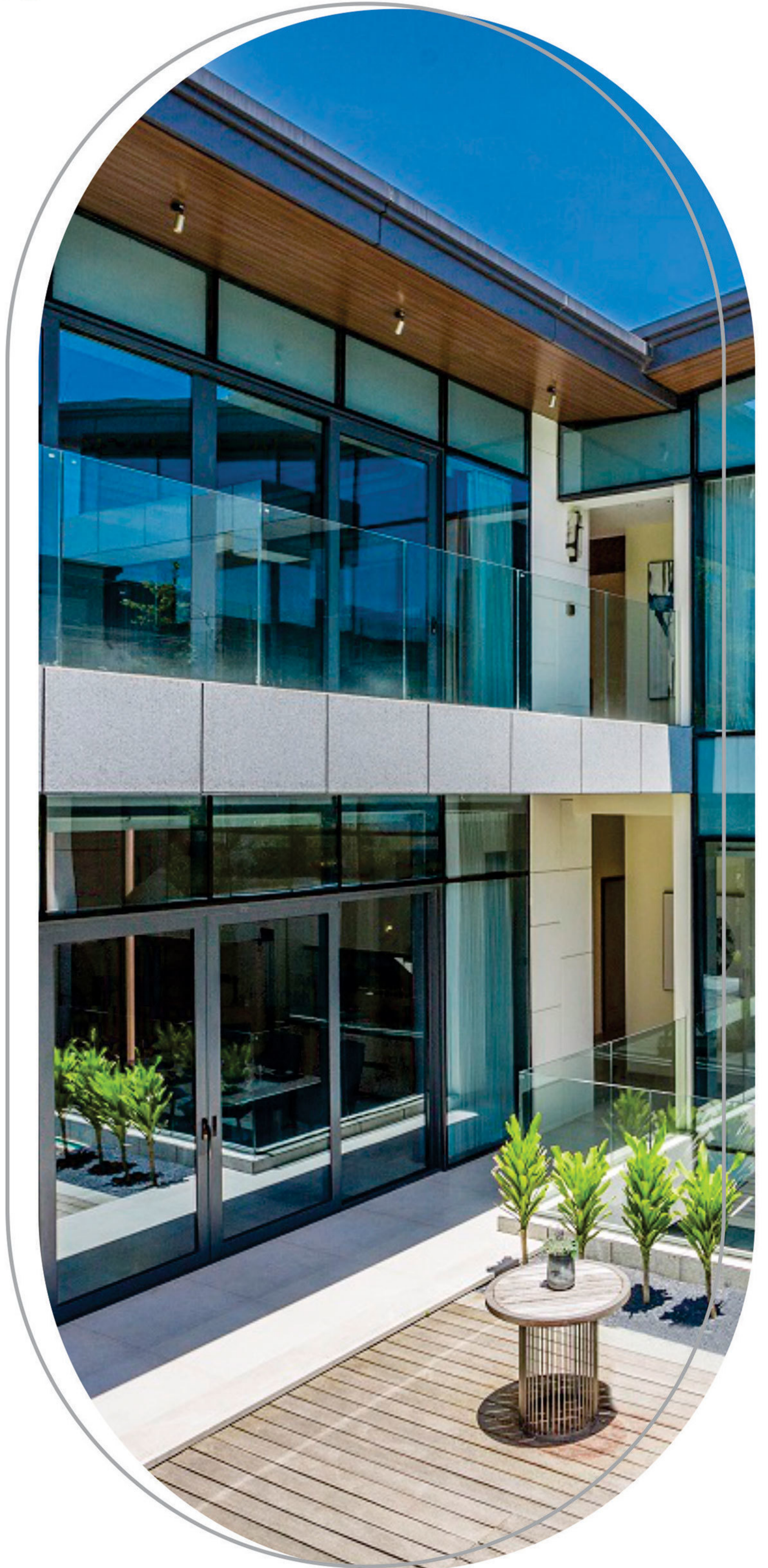
365 days
Customer
Support



Capacity
to serve
1000+
windows



Customized
Engineering
Solutions



Why choose **Weatherseal?**

Tried and Tested

Weatherseal, a subsidiary of Asian Paints, is a trusted name in the window and door systems industry in India. With more than 80 years of experience in the paint industry, Asian Paints has a strong foundation in providing quality products and services. Beautiful Homes, another subsidiary of Asian Paints, offers home decor and renovation services, further establishing the company's expertise in beautifying homes.

Driven by Quality and Aesthetics

At Weatherseal, quality and aesthetics are given equal importance. The company is ISO, RAL, and NCTL certified, and has won the Top Innovator award, highlighting its commitment to providing the best expertise in window and door systems. Weatherseal offers end-to-end customized solutions and promises to deliver and install with perfection.



Sliding Door Systems

Our sliding aluminium door systems provide a highly versatile way of bringing together indoor and outdoor spaces.

This ensures you have the freedom to bring your designs to life without ever compromising performance for style, or aesthetics for efficiency.

As with our other products, security and reliability remains a key driver in every one of our designs. Concealed mechanisms, burglar-resistant locks and class-leading water tightness are just some of the features available that will ensure your designs surpass industry standards.

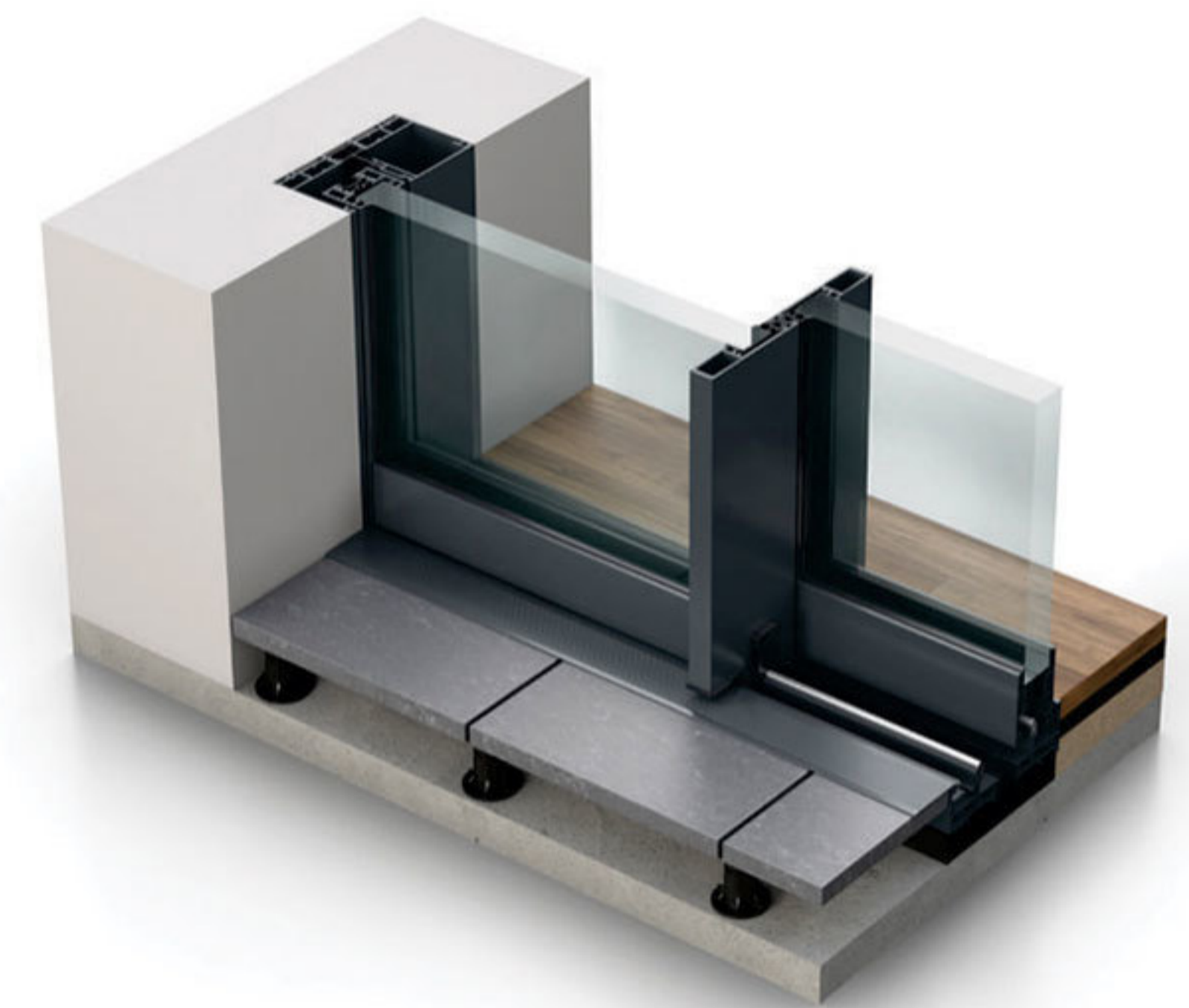
Combining narrow profiles and high energy efficiency, all of our systems create wide expanses that flood spaces with natural light, while maintaining internal temperatures at all times.



Build Endless Perspective with Minimal **Solsken Sliding Door**

Solsken frameless sliding door by Weatherseal provides a wide panoramic view with natural light and maximum comfort.

It offers premium contemporary design marking a super sleek upgrade on standard aluminium sliding doors. Featuring a fully concealed outer frame, ultra-slim 21mm interlock, and market-leading performance, available in both thermally broken and non-thermal sections. Along with an ultra-thin interlock for minimal sightlines, the rollers are seamlessly integrated inside the shutter to avoid the risk of dust accumulation, resulting in longer life and flawless transitions.



DESIGN FEATURES

- › Inline sliding door
- › Completely hidden outer frame
- › Suitable for larger glazing panels.
- › Sightlines (Interlock) : 21mm | 31mm
- › Maximum load : 350kg | 450kg /sash
- › Flush Threshold



SPECIFICATIONS

PERFORMANCE AND ACCREDITATIONS

Air Permeability	Class 4 (600 Pa) ASTM
Water Tightness	Class 8A (450 Pa) ASTM
Wind Load	Class B5 (2000 Pa) ASTM
Sliding Cycle Testing	25,000

CONFIGURATIONS

Opening	Inline Sliding
Dual Rail	Yes
Flush Threshold	Yes

SIZE AND WEIGHT LIMITS

Max Sash Height	3000mm
Max Sash Width	3000mm
Max Sash Weight – Fixed rollers	350/450kg

SYSTEM FEATURES

Single Colour	Yes
Textured Finish	Yes
Anodised Finish	Yes
Multi-Point Locking	Yes

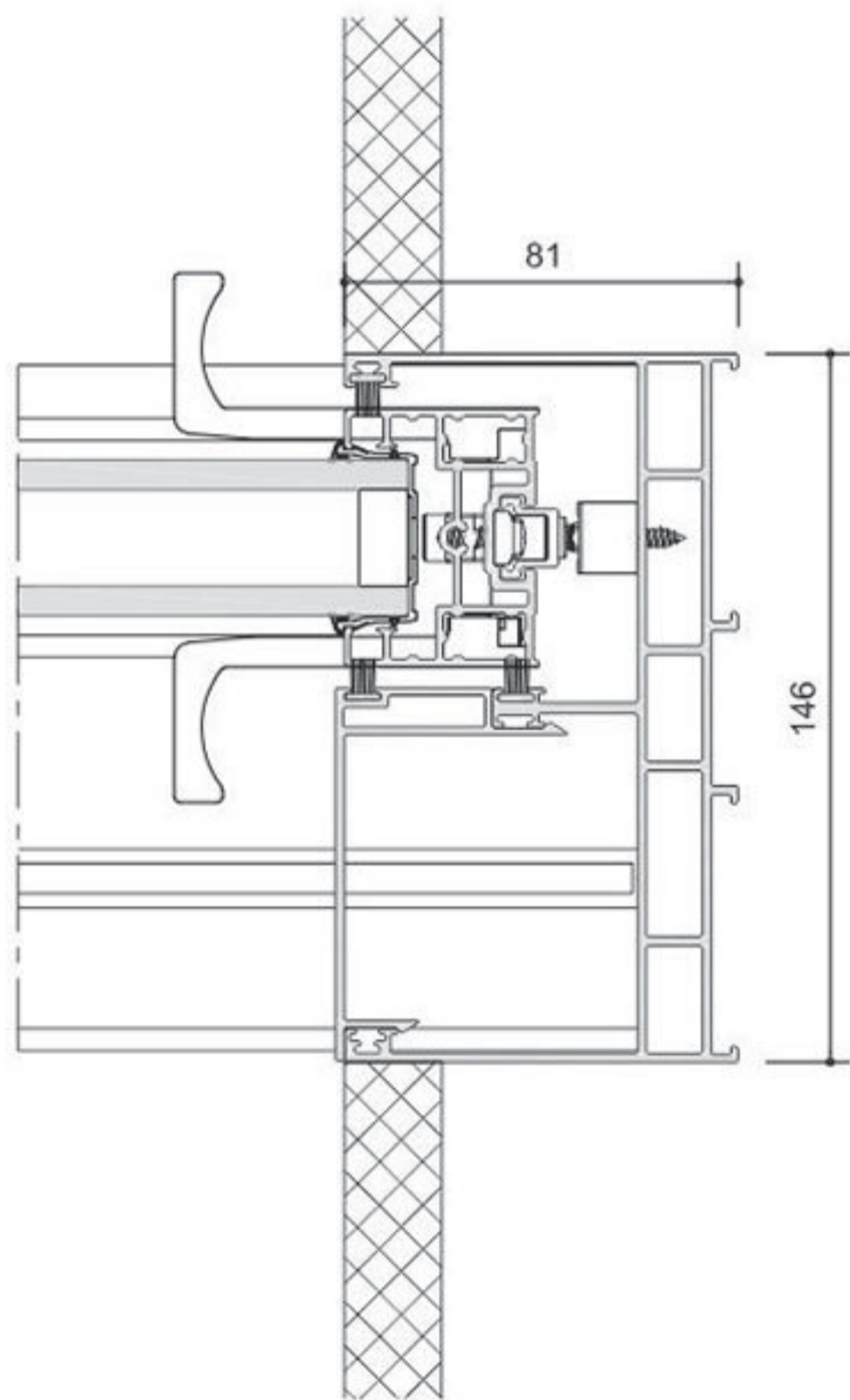
GLAZING

Maximum Glazing Thickness	32mm
---------------------------	------

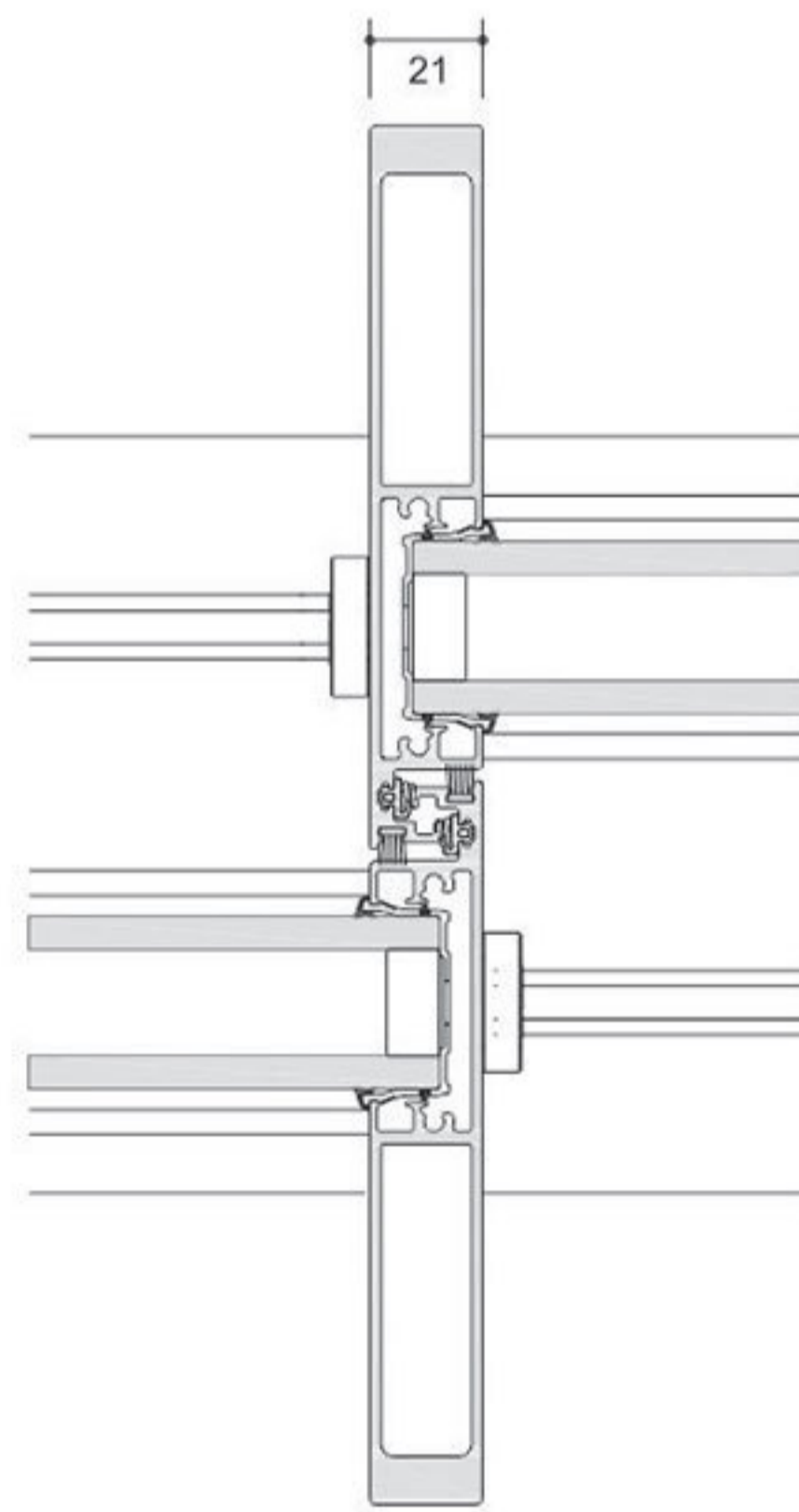
SYSTEM

Depth	146mm
Sightlines (Interlock)	21mm/31mm
Sightlines (Cill)	100.8mm
Sightlines (Outer frame)	0mm/Concealed
Double Wheel Roller Assembly	Stainless steel
Position Of Rollers	In the Shutter bottom

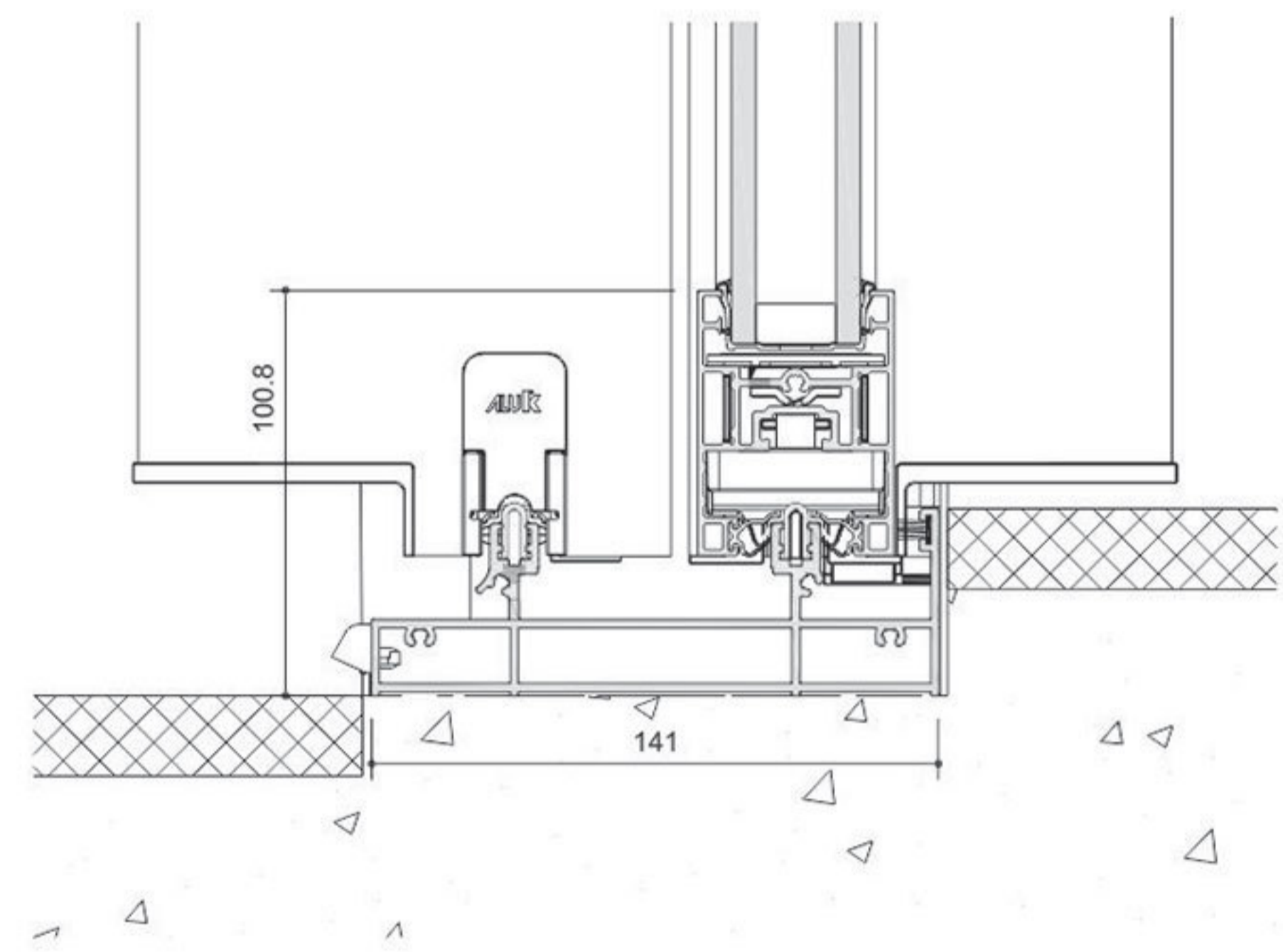
CAD CROSS-SECTION



LATERAL - NT

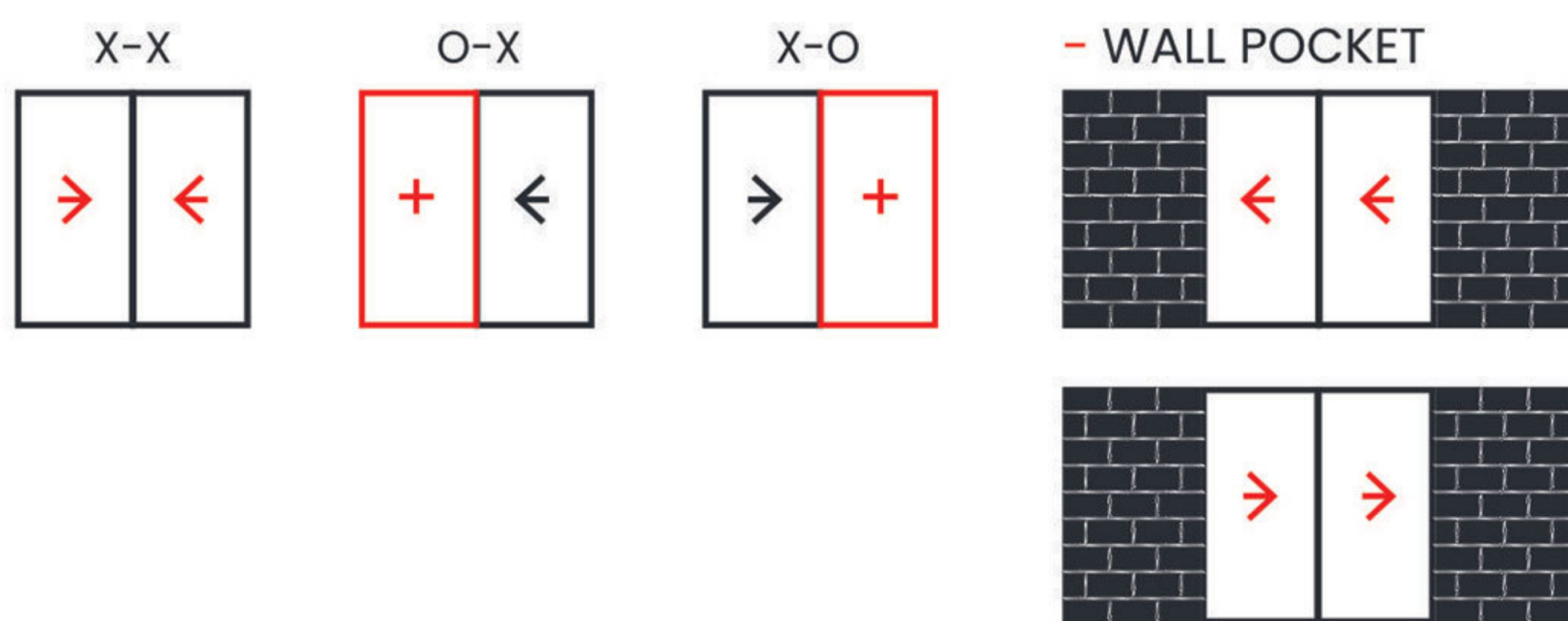


INTERLOCK - NT



SILL DETAIL - NT

CONFIGURATION



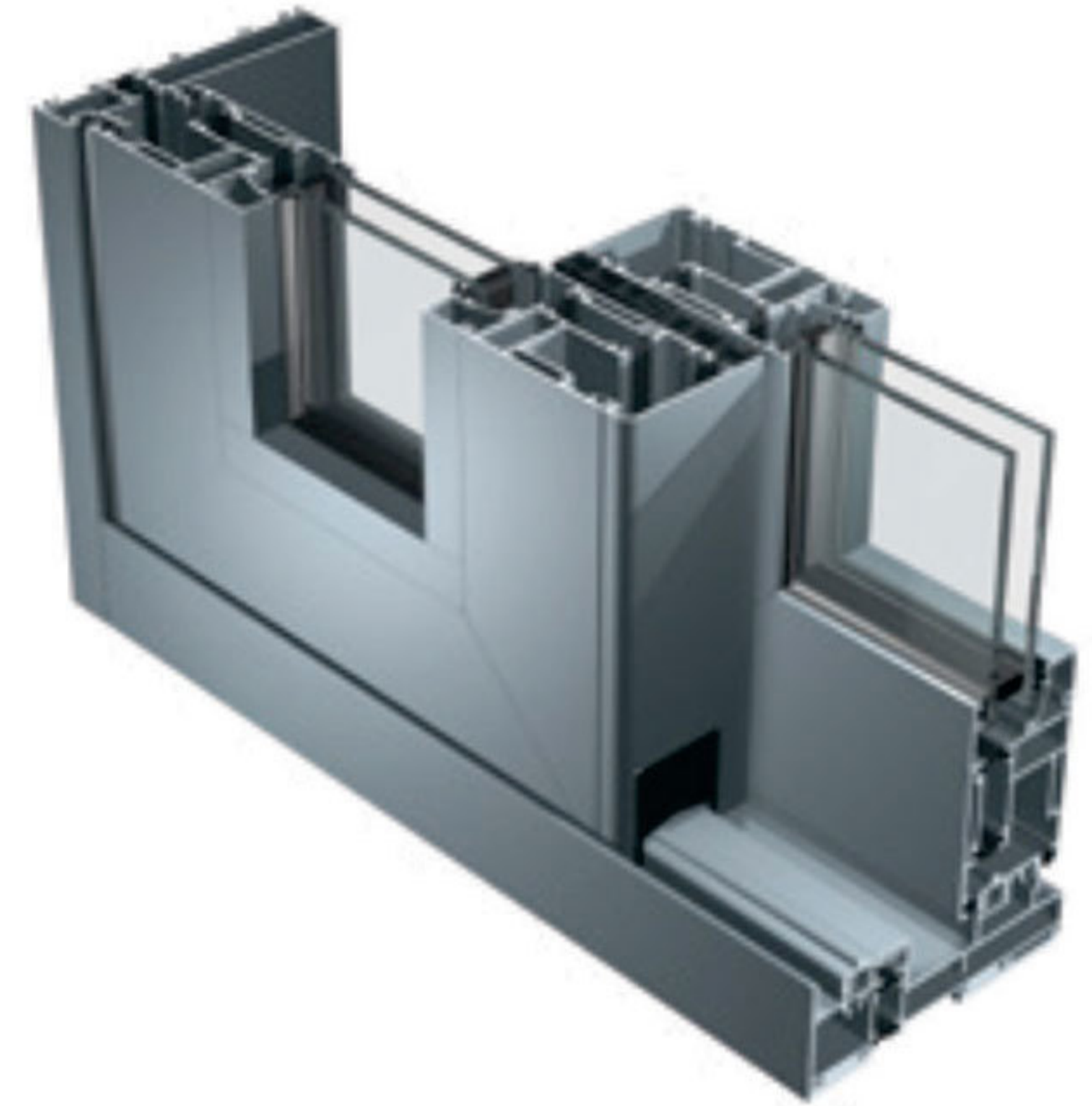
APPLICATION

2 Track 2 Shutter

HS140 Sliding Systems

The HS140 series for sliding doors is suitable for the realization of lift and slide solutions as well as large normal slider. Available in thermally broken or non-thermal, the series is designed for the construction of high-quality frames. The robustness of the chassis allows for the construction of large windows: a typical example may be a glass patio, reaching up to the ceiling. The lift & slide mechanism, designed to facilitate the handling of heavy frames until 400 kg, makes this system very practical and functional.

In fact, heavy glass can be installed without having its weight affect the manoeuvrability; it remains fluid and light. This is an ideal lifetime sliding solution for tropical and hot climate applications in high-rise buildings, individual residences and commercial establishments.



DESIGN FEATURES

- › The retention brushes are in high density propylene with central water stripping.
- › Die-cast metal roller with reinforced polyamide wheels and ball bearings.
- › Maximum load : 300 kg/sash (upto 400 kg/sash with additional trolley) lift & Slide, 250 kg/sash Slide only.
- › Glass thickness : 10 mm to 40 mm

SPECIFICATIONS

PERFORMANCE AND ACCREDITATIONS	HS140 TT	HS140 NI
U-value (Double Glazing)	1.4 W/m K	1.4 W/m K
Air Permeability	Class 4 (600 Pa)	Class 3 (600 Pa)
Water Tightness	Class 9A (600Pa)	Class 7A
Wind Load	Class 5A(2000 Pa)	Class B5
Acoustic Performance	Rw(C;Ctr) = 38 (-1;-3) dB	Rw(C;Ctr) = 38 (-1;-3) dB

SYSTEM FEATURES	HS140 TT	HS140 NI
Single Colour	Yes	Yes
Dual Colour	Yes	No
Textured Finish	Yes	Yes
Anodised Finish	Yes	Yes
Lock	Cremone & Multi-point locks options possibility	Cremone & Multi-point locks options possibility
Lock with Key	Yes	Yes

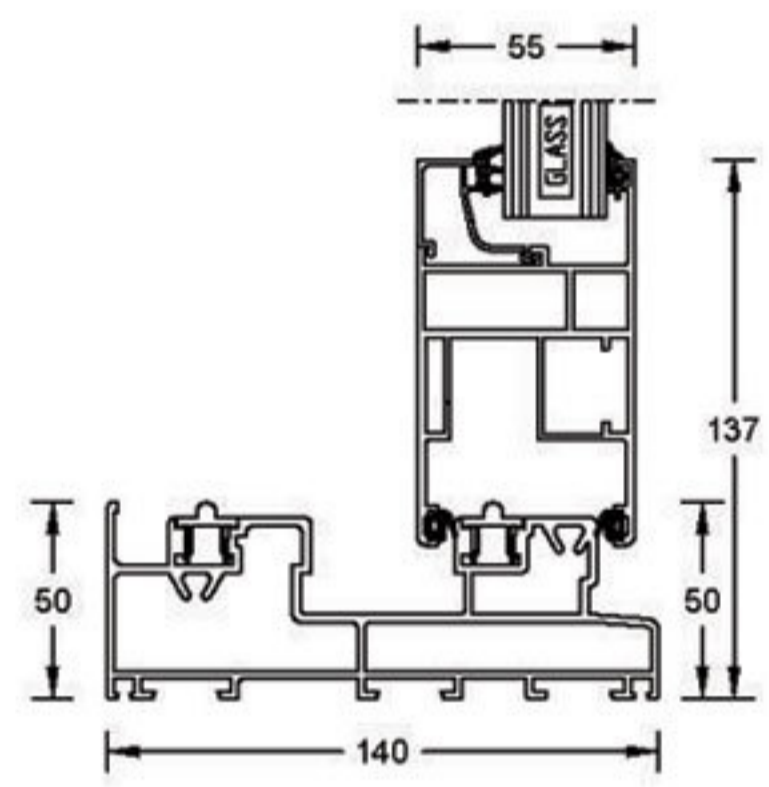
SIZE AND WEIGHT LIMITS	HS140 TT	HS140 NI
Max Sash Height	3000mm	3000mm
Max Sash Width	1800mm	1800mm
Max Sash Weight	300kg-400kg	300kg-400kg

SYSTEM	HS140 TT	HS140 NI
Depth	2 track 140mm & 3 track 213mm	2 track 140mm & 3 track 213mm
Sightliness (Interlock)	104mm	104mm

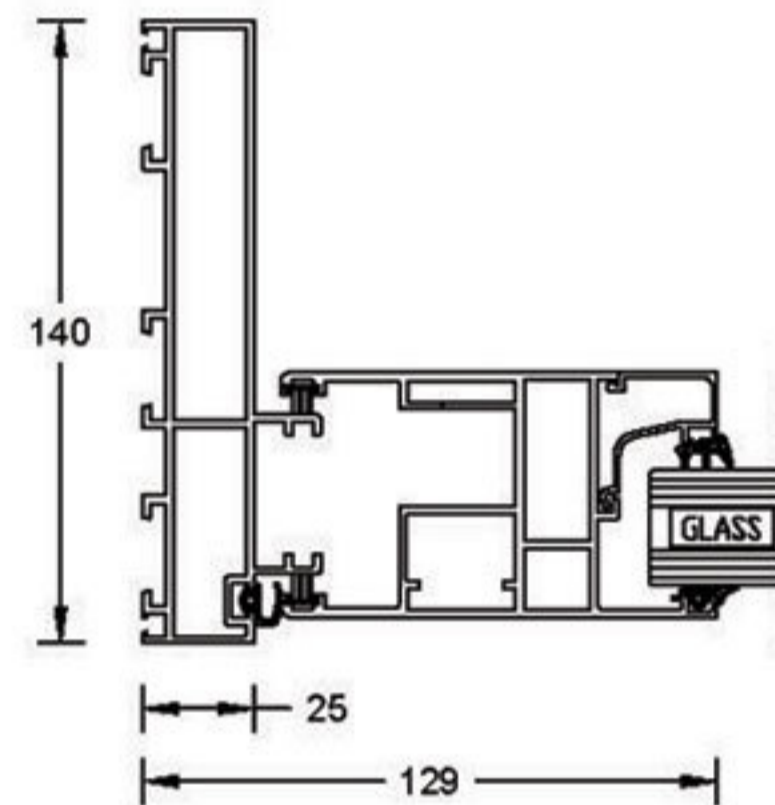
CONFIGURATIONS	HS140 TT	HS140 NI
Opening	Lift & Slide and Slide only Option	Lift & Slide and Slide only Option
Dual Rail	Yes	Yes
Flush Threshold	Yes	Yes

CONFIGURATIONS	HS140 TT	HS140 NI
Glazing Options	Internal	Internal
Glazing Thickness	10mm-40mm	10mm-40mm

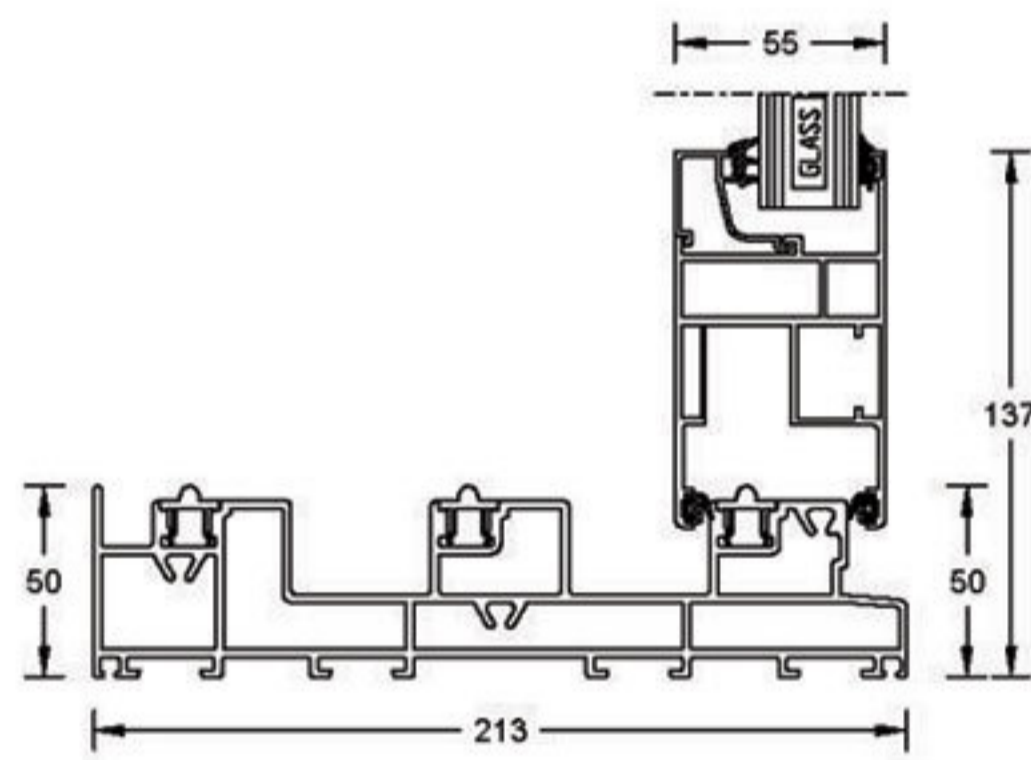
CAD CROSS-SECTION



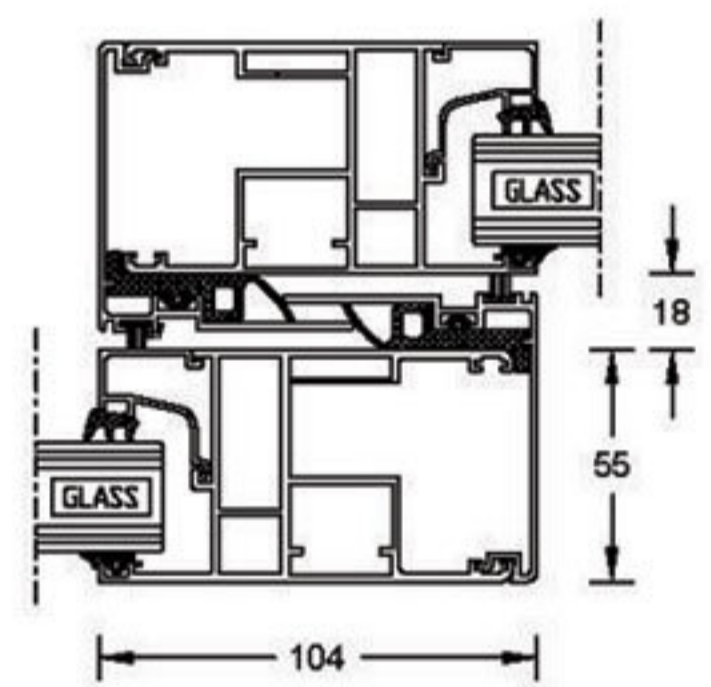
TWO TRACK SILL DETAIL



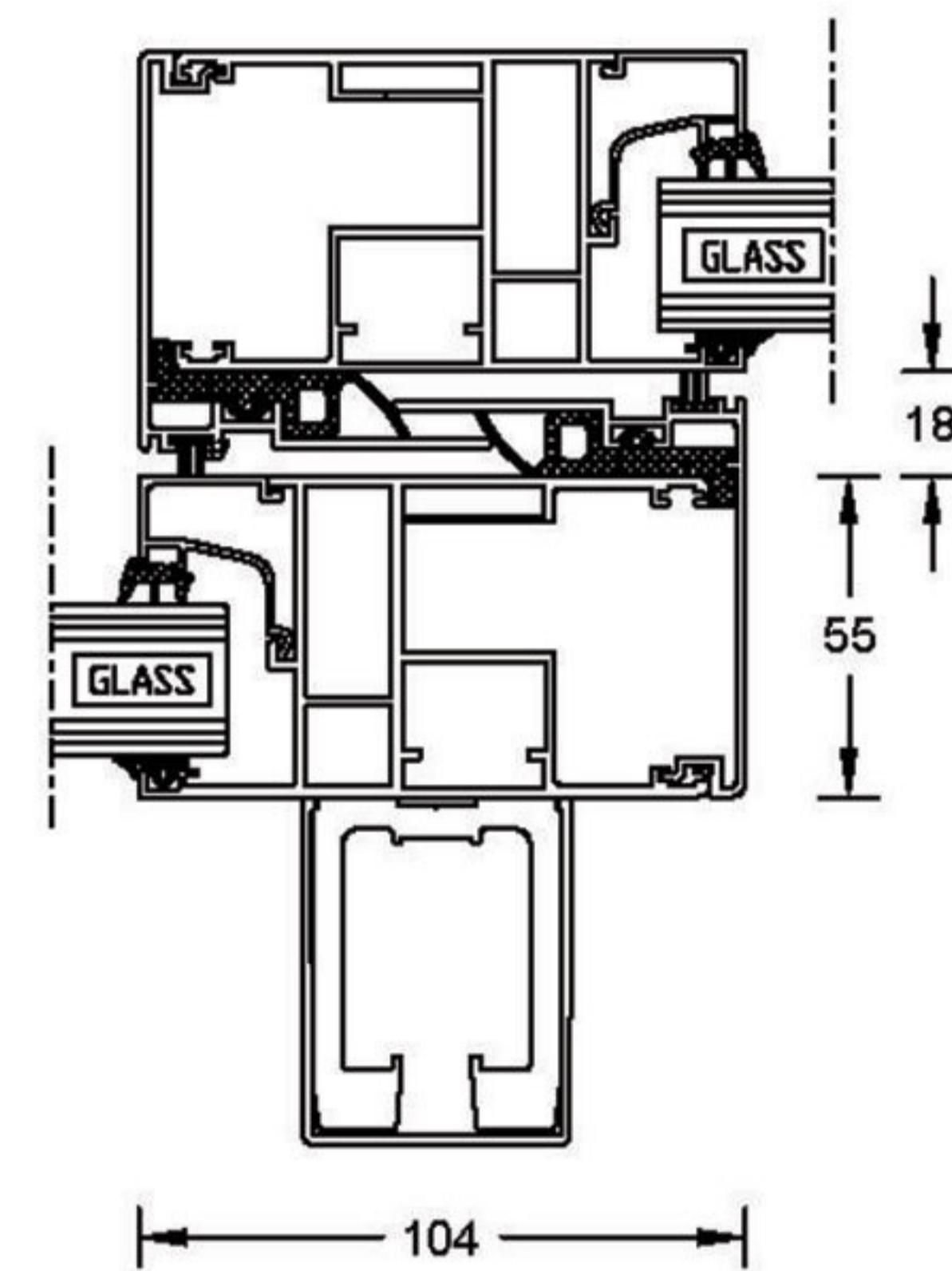
JAMB DETAIL



THREE TRACK SILL DETAIL

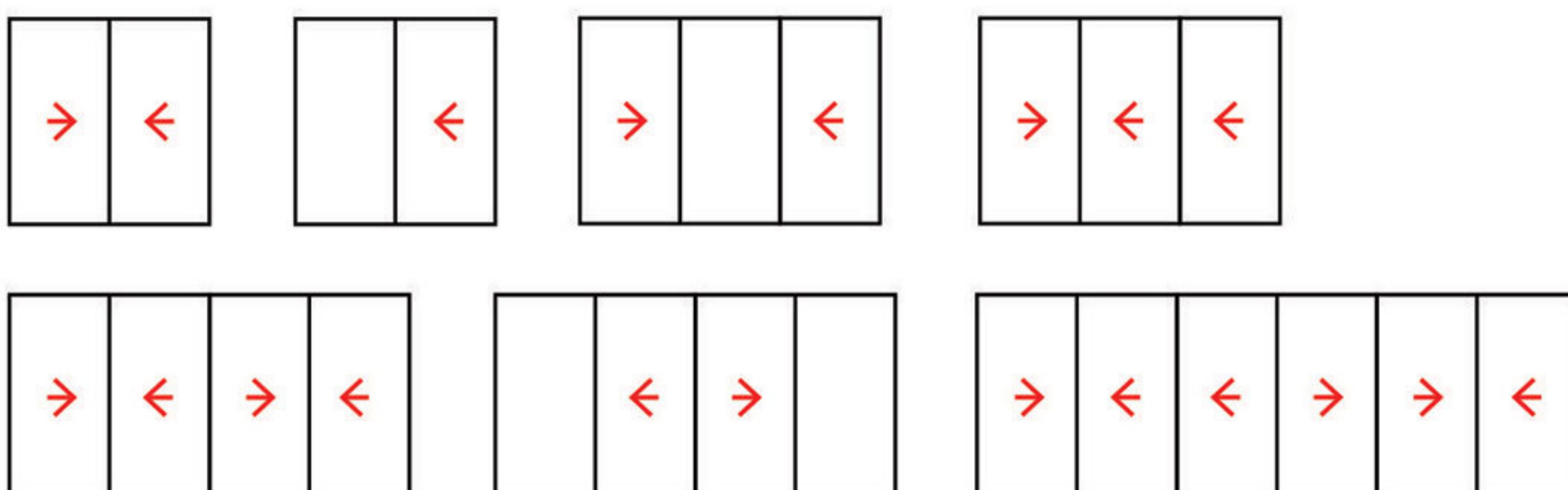


INTERLOCK (104 MM)



INTERLOCK OPTIONS (104 MM)

CONFIGURATION



APPLICATION

Windows & balcony doors	3 Track 6 Sashes
2 Track 2 Sashes	Sliding and fixed combination
2 Track 3 Sashes	Lift and slide or slide only
3 Track 4 Sashes	

GL30 Plus Sliding Windows and Door Systems

GL30 Plus range brings improved safety and security with introduction of thicker glass option with accommodation of laminated doubleglazing unit. GL30 Plus comes with high acoustic insulation which creates a comfortable indoor environment to elevate the quality of life. GL30 Plus gives additional energy efficiency without compromising on the aesthetics of the product.



DESIGN FEATURES

- › Suitable for larger glazing panels
- › Safety glass applications
- › Maximum load : 300 kg/sash
- › Glass thickness: 28mm - 36 mm
- › Integrated Flyscreen option



SPECIFICATIONS

PERFORMANCE AND ACCREDITATIONS

Uw-Value (Double Glazing)	NA
Air Permeability	Class 3 (600 Pa)
Water Tightness	Class 7A
Wind Load	Class B5
Sliding Cycle Testing	25,000

CONFIGURATIONS

Opening	Sliding - 2 track & 2.5 Track with fly mesh options & mid transoms in shutters
---------	--

Dual Rail	Yes
-----------	-----

SIZE AND WEIGHT LIMITS

Max Sash Height	3000mm
Max Sash Width	1500mm
Max Sash Weight	300kg

SYSTEM FEATURES

Single Colour	Yes
Textured Finish	Yes
Anodised Finish	Yes
Lock	Cremone and Flush type and single point/Multi point locks options possibility
Lock with Key	Yes
Multi-Point Locking	Yes
Flyscreen Option	Integrated

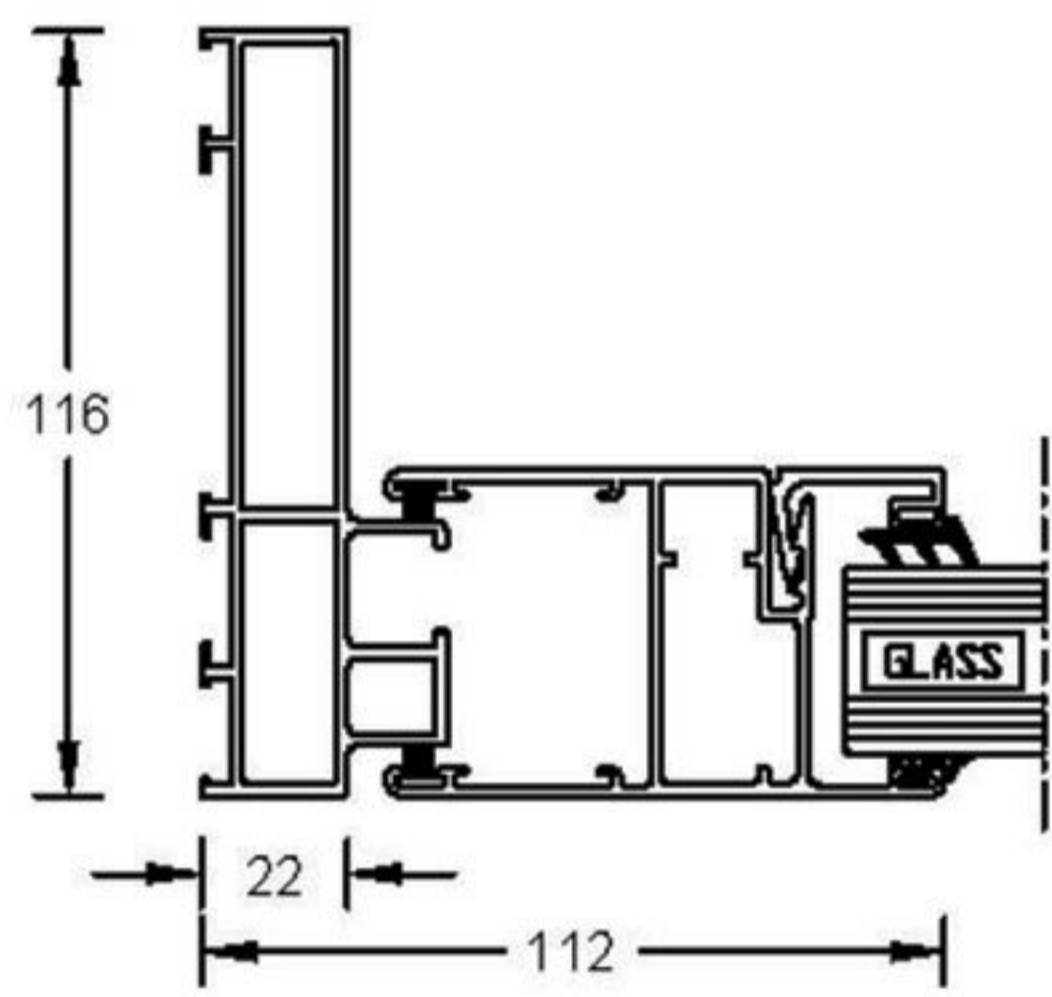
GLAZING

Maximum Glazing Thickness	28mm to 36mm
---------------------------	--------------

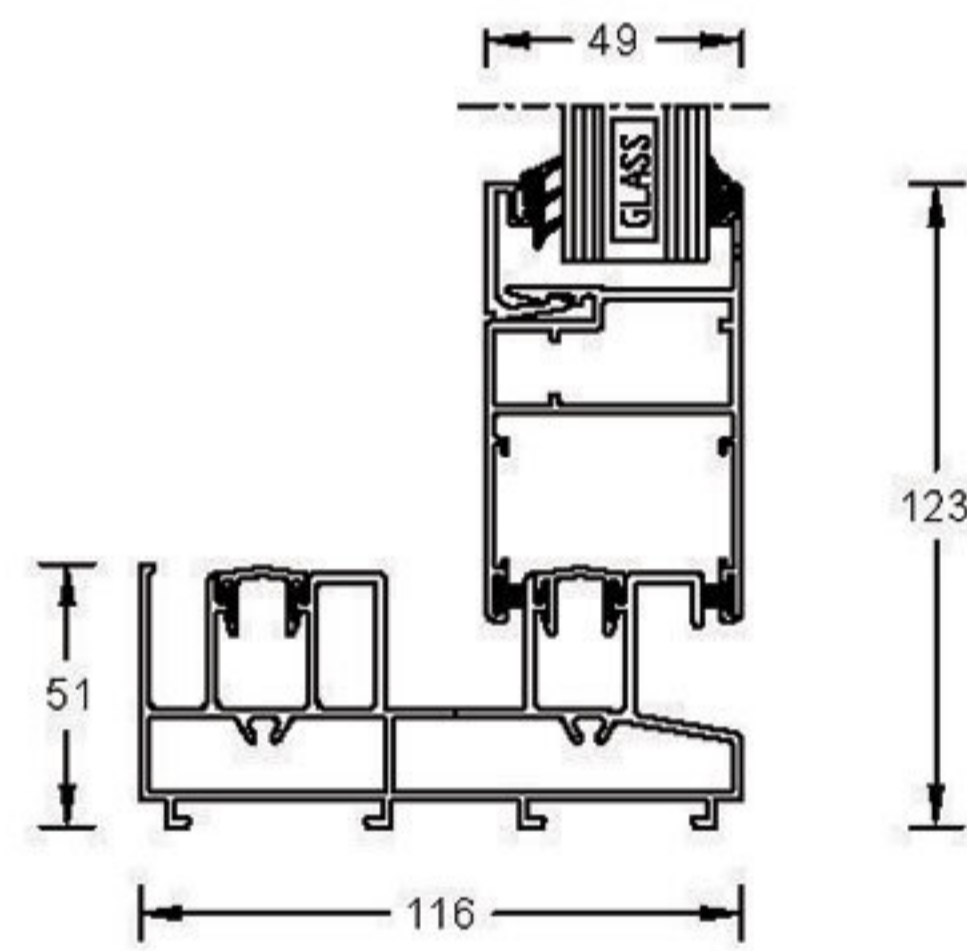
SYSTEM

Depth	115mm 163.5mm
Sightlines (Interlock)	84mm

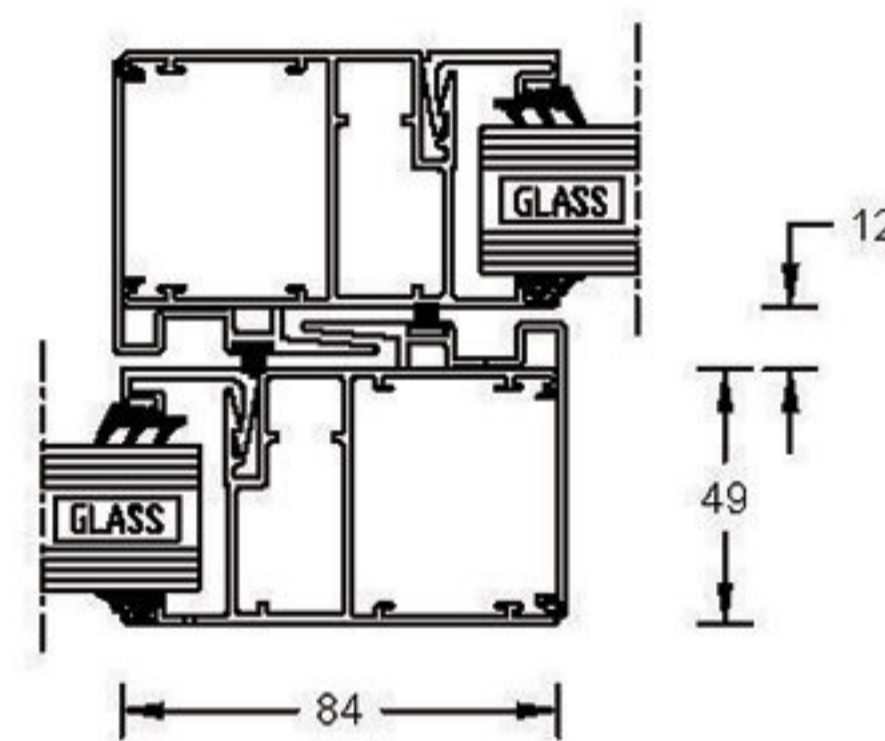
CAD CROSS-SECTION



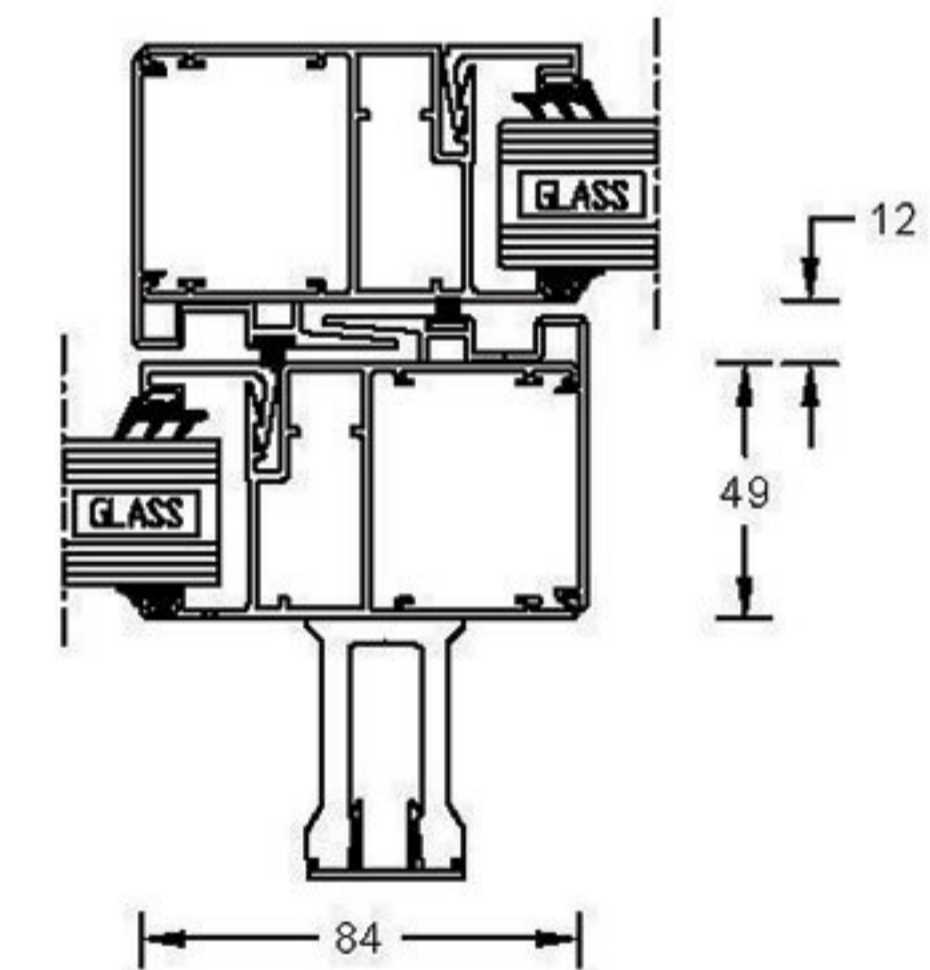
JAMB DETAIL



TWO TRACK SILL DETAIL

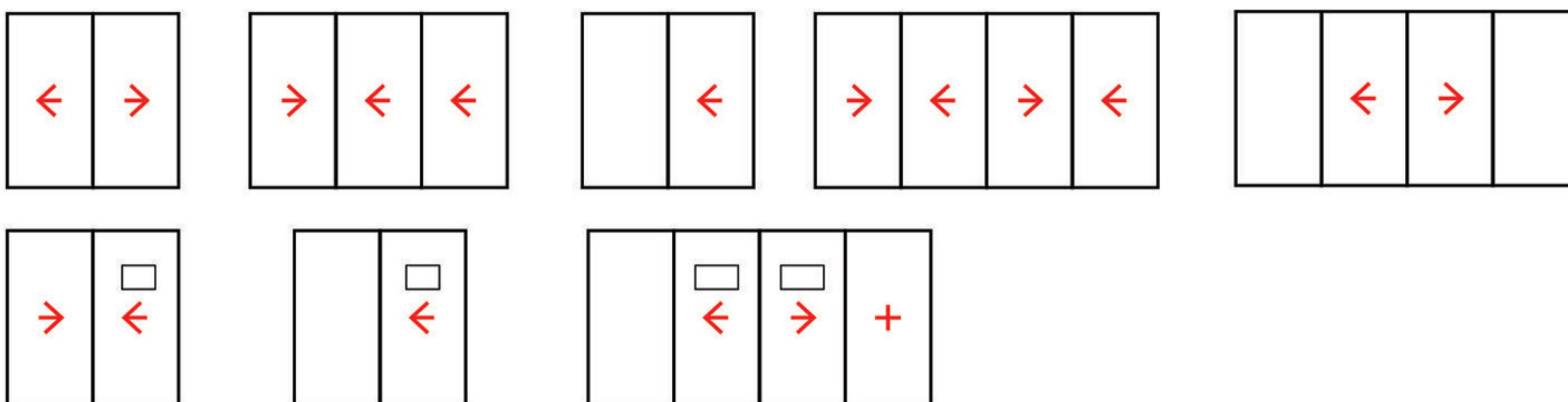


INTERLOCK



INTERLOCK OPTION

CONFIGURATION



APPLICATION

- 2 Track 2 Sashes
- 2 Track 4 Sashes
- 2 Track with Flymesh option

GL30 Sliding Windows and Door Systems

The GL30 sliding window and door system from Weatherseal is a superior, high performing sliding solution with aesthetics and design appeal. The product comes with sturdy rollers tested for many cycles of operation and a trusted and proven Weatherseal product worldwide for decades. This versatile sliding window solution comes with lot of choices and customized options and is an ideal lifetime sliding solution for tropical and hot climate applications in high-rise buildings, individual residences and commercial establishments.



DESIGN FEATURES

- › Suitable for larger glazing panels
- › Safety glass applications
- › Maximum load : 200 kg/sash
- › Glass thickness: 24 mm
- › Integrated Flyscreen option



SPECIFICATIONS

PERFORMANCE AND ACCREDITATIONS	GL30 TT	GL30 NI
U-value	Uw = 2.3 W/m K	NA
Air Permeability	Class 4 (600 Pa)	Class 3 (600 Pa)
Water Tightness	Class 8A	Class 7A
Wind Resistance	Class B2	Class B5

SYSTEM FEATURES	GL30 TT	GL30 NI
Single Colour	Yes	Yes
Dual Colour	Yes	No
Textured Finish	Yes	Yes
Anodised Finish	Yes	Yes
Lock	Cremone , Flush type and Single point Multi point locks options possibility	Cremone , Flush type and Single point Multi point locks options possibility, Short neck handle
Lock with Key	Yes	Yes
Dual Colour	Yes	Yes
Textured Finish	Integrated	Integrated
Anodised Finish	No	Integrated

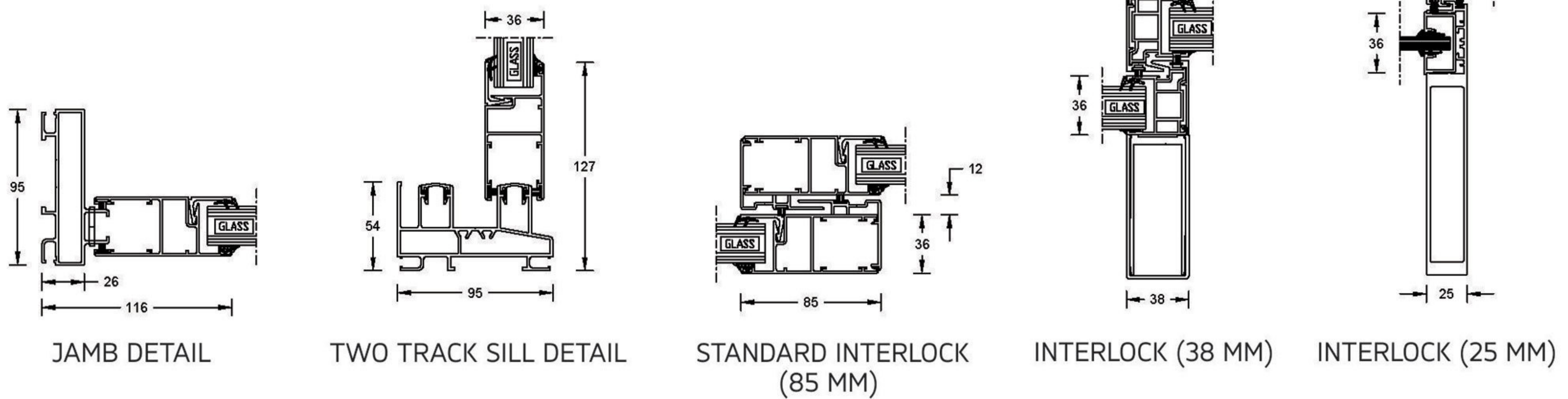
SIZE AND WEIGHT LIMITS	GL30 TT	GL30 NI
Max Sash Height	3000mm	3000mm
Max Sash Width	1500mm	1500mm
Max Sash Weight	200kg	160kg-200kg

SYSTEM	GL30 TT	GL30 NI
Depth	2 track 95mm & 3 track 143mm	2 track 95mm & 3 track 143mm
Sightliness (Interlock)	84mm	84mm, 38mm & 25mm

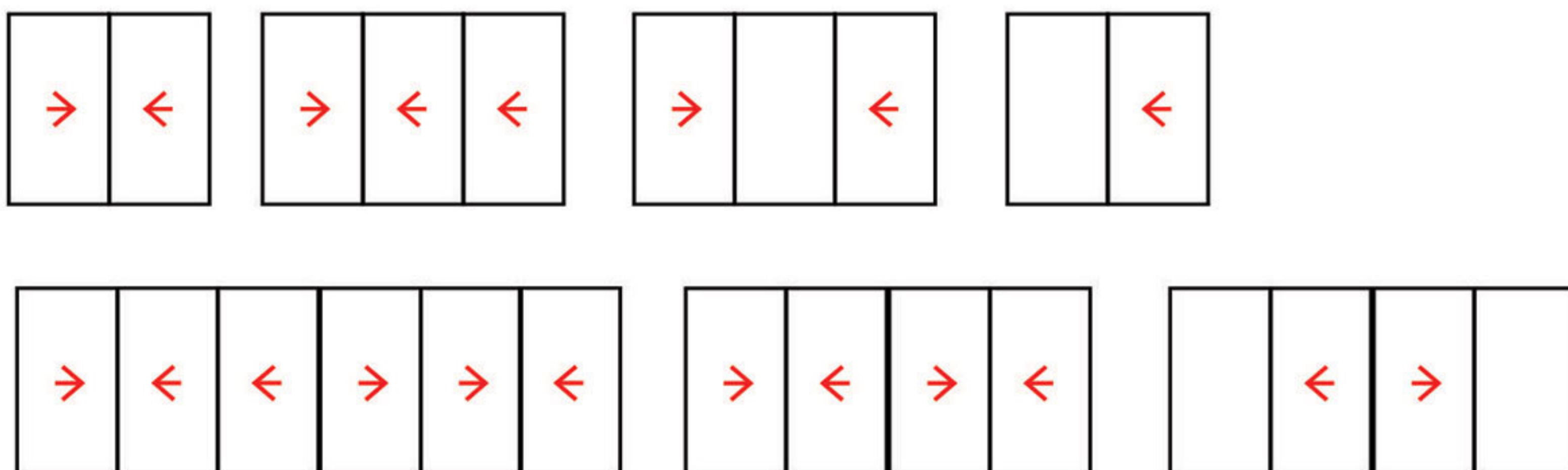
CONFIGURATIONS	GL30 TT	GL30 NI
Opening	Sliding Door	Sliding Door
Dual Rail	Yes	Yes
Flush Threshold	Yes	Yes

Glazing	GL30 TT	GL30 NI
Glazing Options	Internal	Internal
Glazing Thickness	6mm-24mm	6, 8, 13.52, 24, 26 & 28mm

CAD CROSS-SECTION



CONFIGURATION

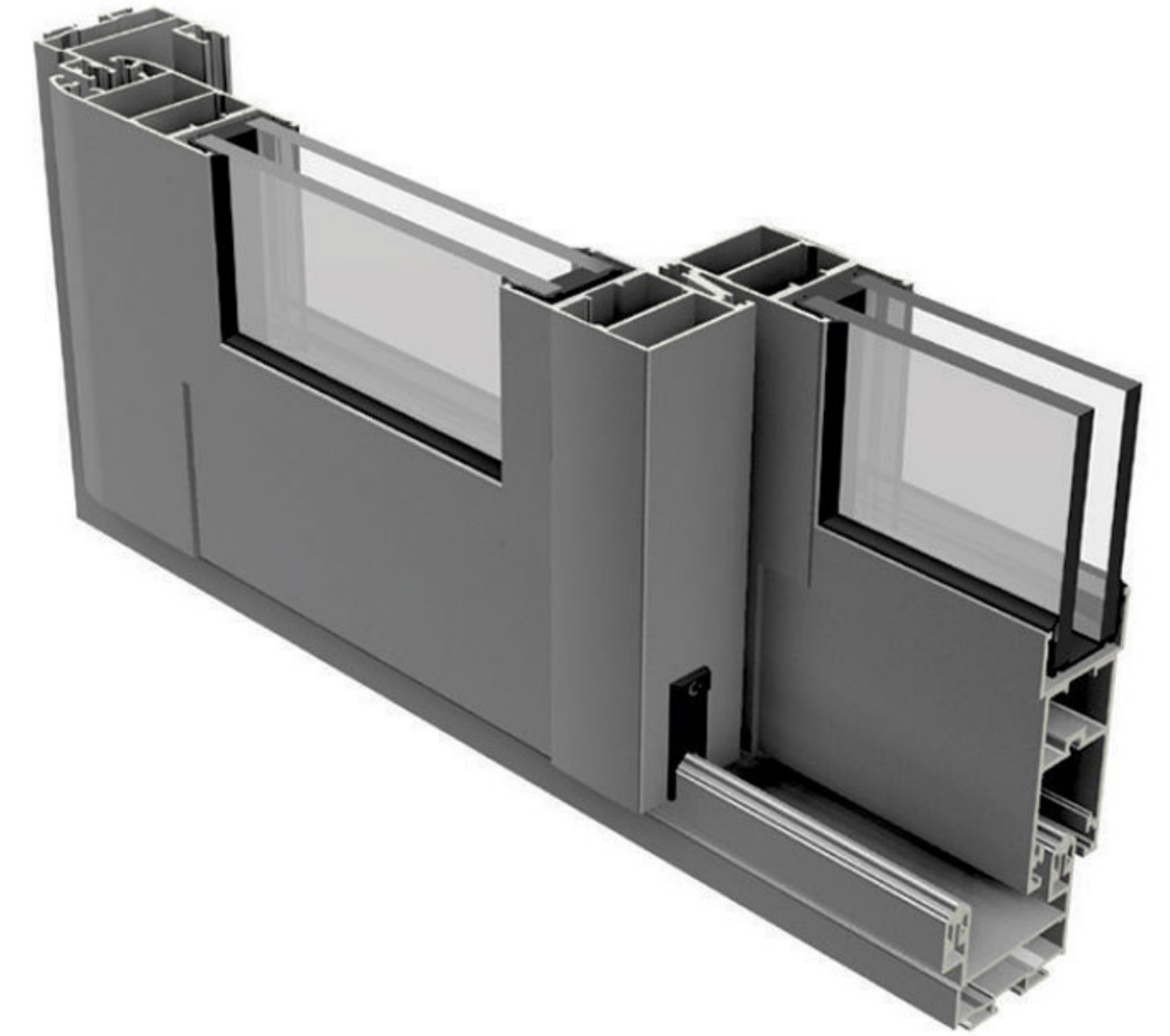


APPLICATION

- 2 Track 2 Sashes
- 2 Track 3 Sashes
- 3 Track 4 Sashes
- 3 Track 6 Sashes
- Monorail options
- Integrated balustrade
- Fixed lights in combination with sliding sashes

GL24 Sliding Door Systems

GL24 is a sliding system for large dimensions windows. It benefits from the most innovative aesthetics and technical concepts making it a unique solution in its segment: slim outside strong inside. It is high on aesthetics, smart in design and excellent on all performance parameters of a sliding window. Especially designed for applications where quality finishing and safe operation matters the most.



DESIGN FEATURES

- › Slim design with 33 mm visible width of the interlock
- › For in single & double glazing 4,5,6 & 8 and 24 mm
- › 45 degree joining in frame and 90 degree joining in sash
- › Adjustable rollers able to carry up to 120kgs per sash
- › Wider track and deeper gutter for water drainage and easy maintenance
- › Reinforced profiles for high inertia



SPECIFICATIONS

PERFORMANCE AND ACCREDITATIONS

Air Permeability	Class 3 (600 Pa)
Water Tightness	Class 7A (300 Pa)
Wind Load	Class A4 (1600 Pa)

CONFIGURATIONS

Opening	Sliding Door and Window
Dual Rail	Yes
Flush Threshold	Yes

SIZE AND WEIGHT LIMITS

Max Sash Height	2400mm
Max Sash Width	1200mm
Max Sash Weight	80kg & 120kg

GLAZING

Maximum Glazing Thickness	5mm 6mm 8mm 24mm
---------------------------	------------------------

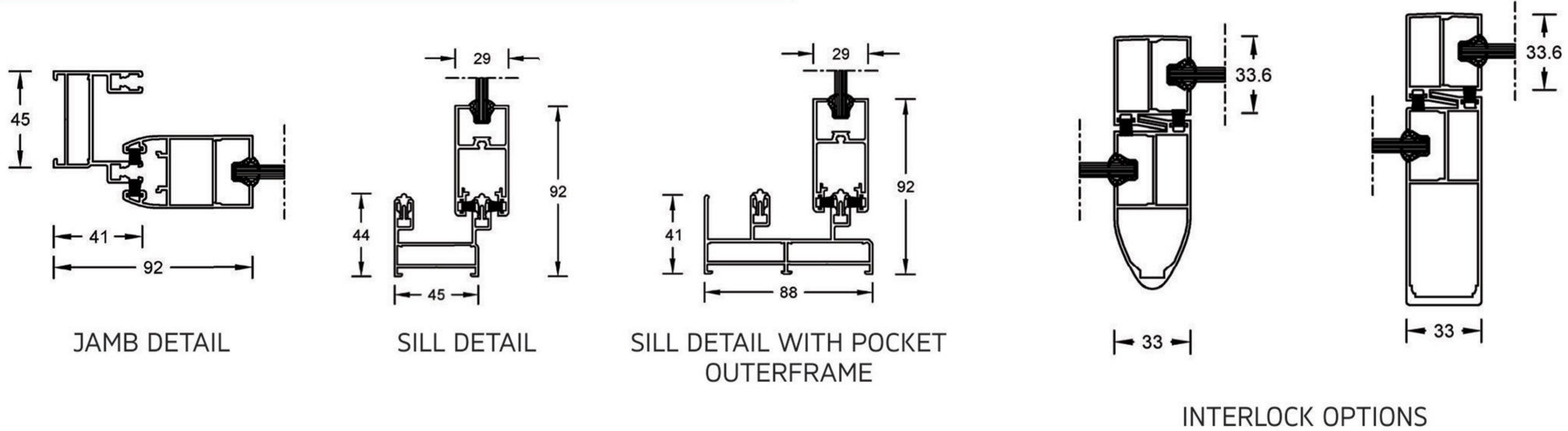
SYSTEM FEATURES

Single Colour	Yes
Textured Finish	Yes
Anodised Finish	Yes
Lock	Cremone and Flush type and single point/Multi point locks options possibility
Lock with Key	Yes
Multi-Point Locking	Yes
Flyscreen Option	Integrated

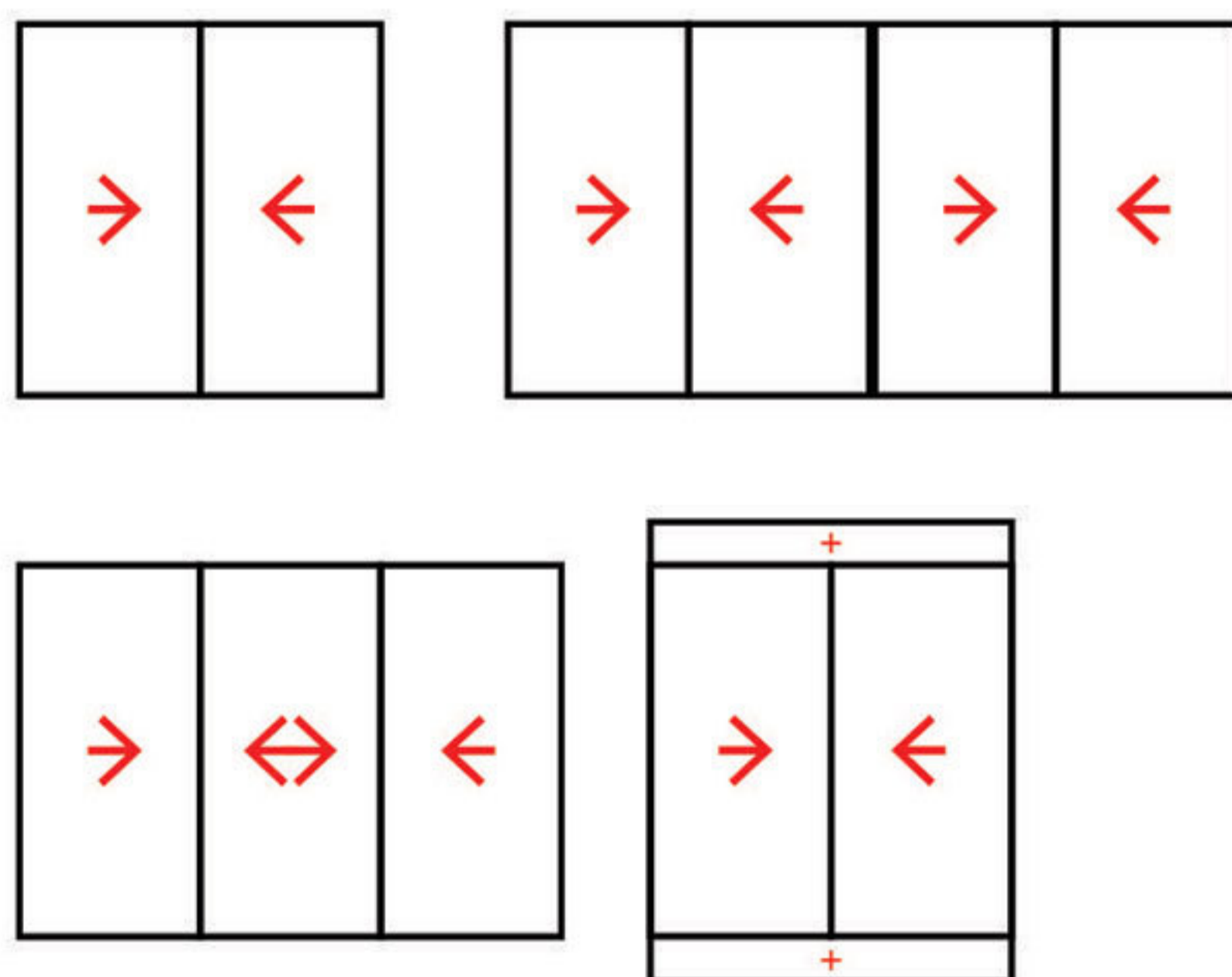
SYSTEM

Depth	2 Track 45mm, 2 Track pocket sash 88mm 3 Track 87mm & 3 Track pocket sash 130mm, 4 Track 130mm
Sightlines (Interlock)	33.3mm

CAD CROSS-SECTION



CONFIGURATION



APPLICATION

2 Track 2 Shutter	2 Track 3 Shutter
2 Track 4 Shutter	3 Track 3 Shutter
3 Track 6 Shutter	4 Track
2 & 3 Track also available	

Casement Windows & Door Systems

We understand when it comes to designing and specifying glazing solutions that performance, flexibility and security are all key drivers in the decision making process. All our casement window and door systems are designed with advanced technology to ensure maximum comfort related to acoustic, light transmission and security – making them perfect for any commercial or residential project.

Our ongoing commitment to innovation sees us recognised as a leader in the design and manufacture of aluminium windows across India and beyond.

This ensures when choosing our systems for your project you can be confident they will meet the aesthetic demands of building occupiers, in addition to exceeding building regulations and standards.

As with our range of aluminium casement systems, we don't provide a one-size-fits-all service, but instead work closely with specifiers to provide bespoke solutions designed around specific performance requirements.

All our casement window and door systems include high-quality multi-point locking mechanisms alongside other key security features.

Our windows are among the most advanced on the market and provide exceptional performance, as demanded by all modern building construction.



FL24 Casement window and Door System

The FL24 is a 45 mm, door system that offers an optimized design, yet an affordable solution for all construction types requiring good weather performances.

Its simple appearance and clean lines suit the modern environment design requirements. Its wide choice of applications and technical solutions makes it ideal for all types of residential and commercial establishments. The FL24 casement is the ideal system for exterior joinery in tropical and hot climates.



DESIGN FEATURES

- › Double overlap
- › Frame/sash depth: 45 mm
- › Squared or rounded glass bead

SPECIFICATIONS

PERFORMANCE AND ACCREDITATIONS

Uw-Value (Double Glazing)	NA
Air Permeability	Class 4 (600 Pa)
Water Tightness	Class 9A (600 Pa)
Wind Load	Class B (2800 Pa)

CONFIGURATIONS

Opening	Casement window and door
---------	--------------------------

SIZE AND WEIGHT LIMITS

Max Sash Height	Window -1800mm, Door -2400mm
Max Sash Width	Window -850mm, Door -915mm
Max Sash Weight	80kg

GLAZING

Maximum Glazing Thickness	5mm-30mm
---------------------------	----------

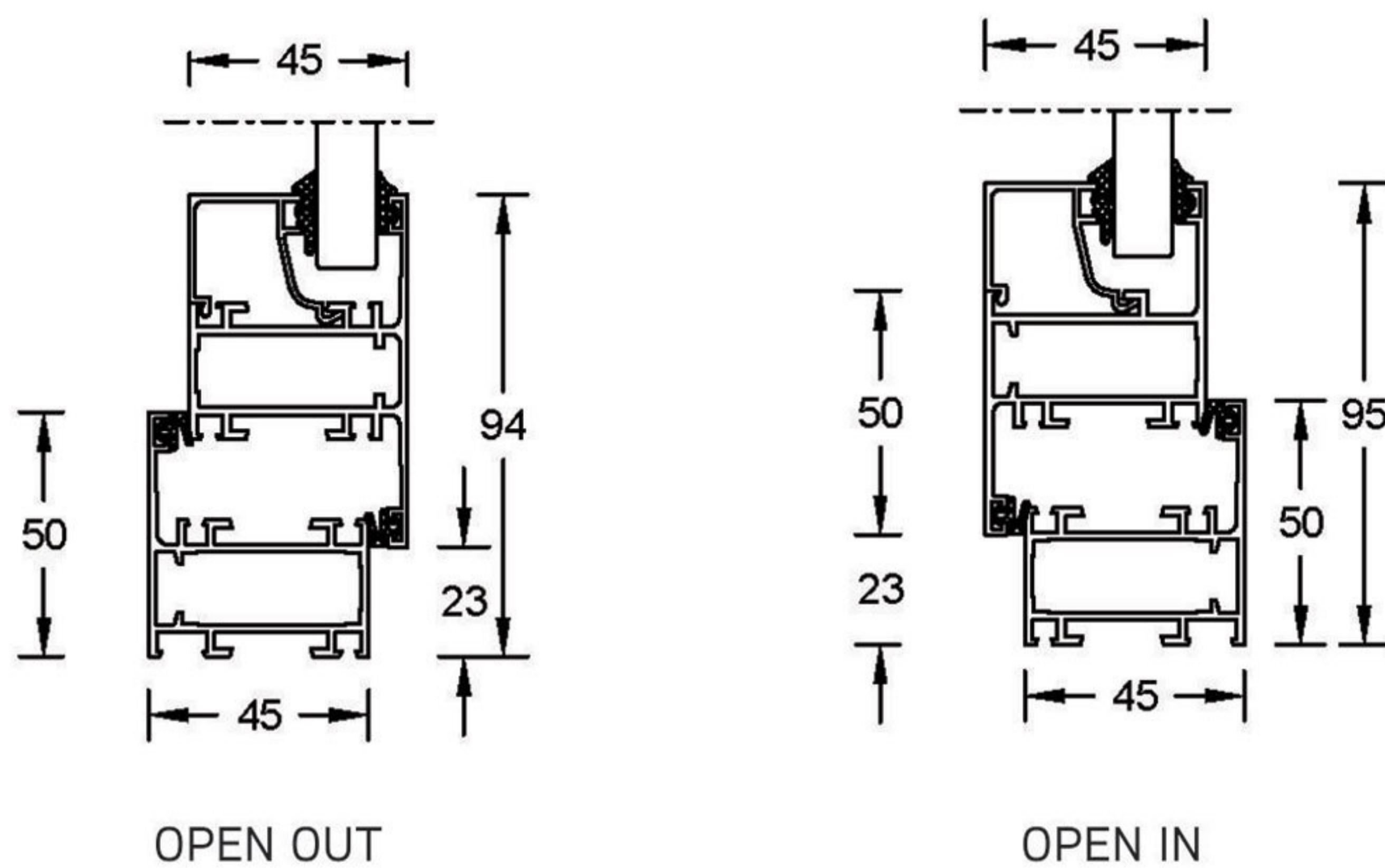
SYSTEM FEATURES

Single Colour	Yes
Textured Finish	Yes
Anodised Finish	Yes
Lock	Cremone, Multi-point locks, detachable handle option in casement window
Lock with Key	Yes
Multi-Point Locking	Yes
Flyscreen Option	Integrated (Double window - Open In with mesh/Open out with glass shutter)

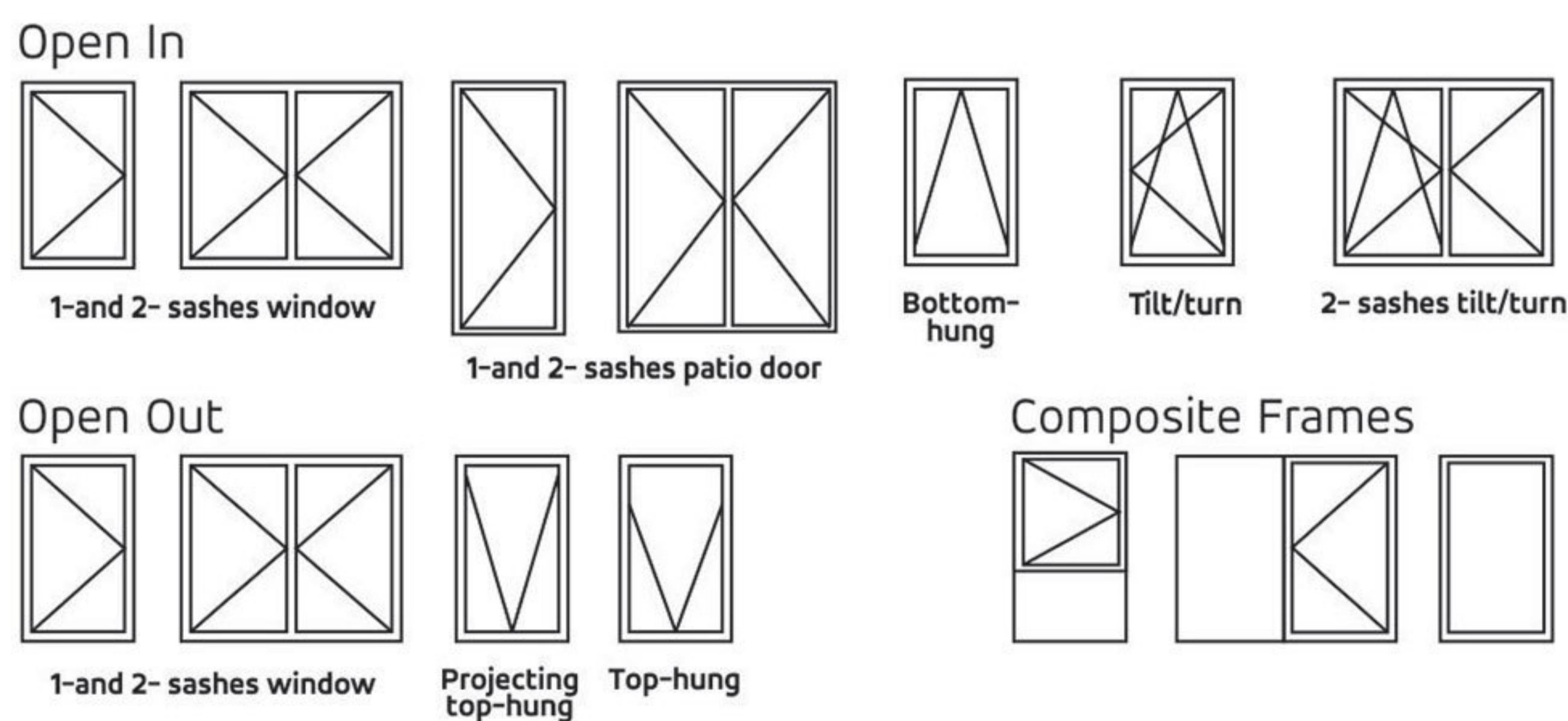
SYSTEM

Depth	45mm
-------	------

CAD CROSS-SECTION



CONFIGURATION



APPLICATION

Fixed Window
 Top Hung
 Side Hung Window single sash & double sash
 Casement Door Single sash & Double sash
 Tilt & Turn

Open In – Open Out
 Integrated with fixed lights and GL24 Slider
 Variable angle window
 Integrated (Double window - Open In with mesh, Open out with glass shutter)

Folding Door Systems

We have developed a series of strong, lightweight, thermally broken and non thermal folding door systems that enable the opening of large expanses and consequently brings together indoor and outdoor living spaces. This allows specifiers to design spaces that truly engage with their surroundings.

We believe aesthetics should never compromise performance, which is why all our folding door systems have been designed to create living and working environments that are comfortable and efficient in equal measure.

As with all AluK products, security and reliability remains a key driver in our folding door systems. All have been rigorously tried and tested to exceed industry standards in terms of weather and water tightness, and are certified.

Our windows are among the most advanced on the market and provide exceptional performance, as demanded by all modern building construction.



SV70 Folding Doors

The SV70 Folding Door System gives maximum control over the style and operation of the doors. Multiple panels can be added to accommodate the unique design specifications of the building, with the option to open-in or out as required. The system's narrow profile ensures that maximum glazing is achieved, flooding spaces with natural light.

In addition to the inherent strength of aluminium, the SV70 combines security hinges and locking mechanisms with a unique heavy-duty roller design to provide the security and reliability demanded in high traffic applications. The system also incorporates a pop out T-handle design that allows for square flush stacking panels when doors are fully open.



DESIGN FEATURES

- › Internally beaded with a softline or square detail to all external doors and panels
- › Four stainless steel wheels ensures smooth and consistent operation
- › Unique, flush line pop-out handle that allows maximum door opening and square stacking of panels
- › Tested to PAS 24 and certified under the Secured By Design scheme



SPECIFICATIONS

PERFORMANCE AND ACCREDITATIONS

U-Value (Double Glazing) (Ug: 1.0 W/m K)	1.6 W/m K
U-Value (Triple Glazing) (Ug: 0.7 W/m K)	1.4 W/m K
Air Permeability (Standard Threshold)	Class 2 (300 Pa)
Water Tightness (Standard Threshold)	Class 4A (150 Pa)
Wind Resistance	Class B (1200 Pa)

CONFIGURATIONS

Opening	Open-in & Open-out
---------	--------------------

SIZE AND WEIGHT LIMITS

Max Leaf Height	3000mm
Max Leaf Width	1000mm
Max Vent Weight	120kg

SYSTEM FEATURES

Single Colour	Yes
Textured Finish	Yes
Anodised Finish	Yes
Lock with Key	Cremone, Multipoint
Multi-Point Locking	Yes

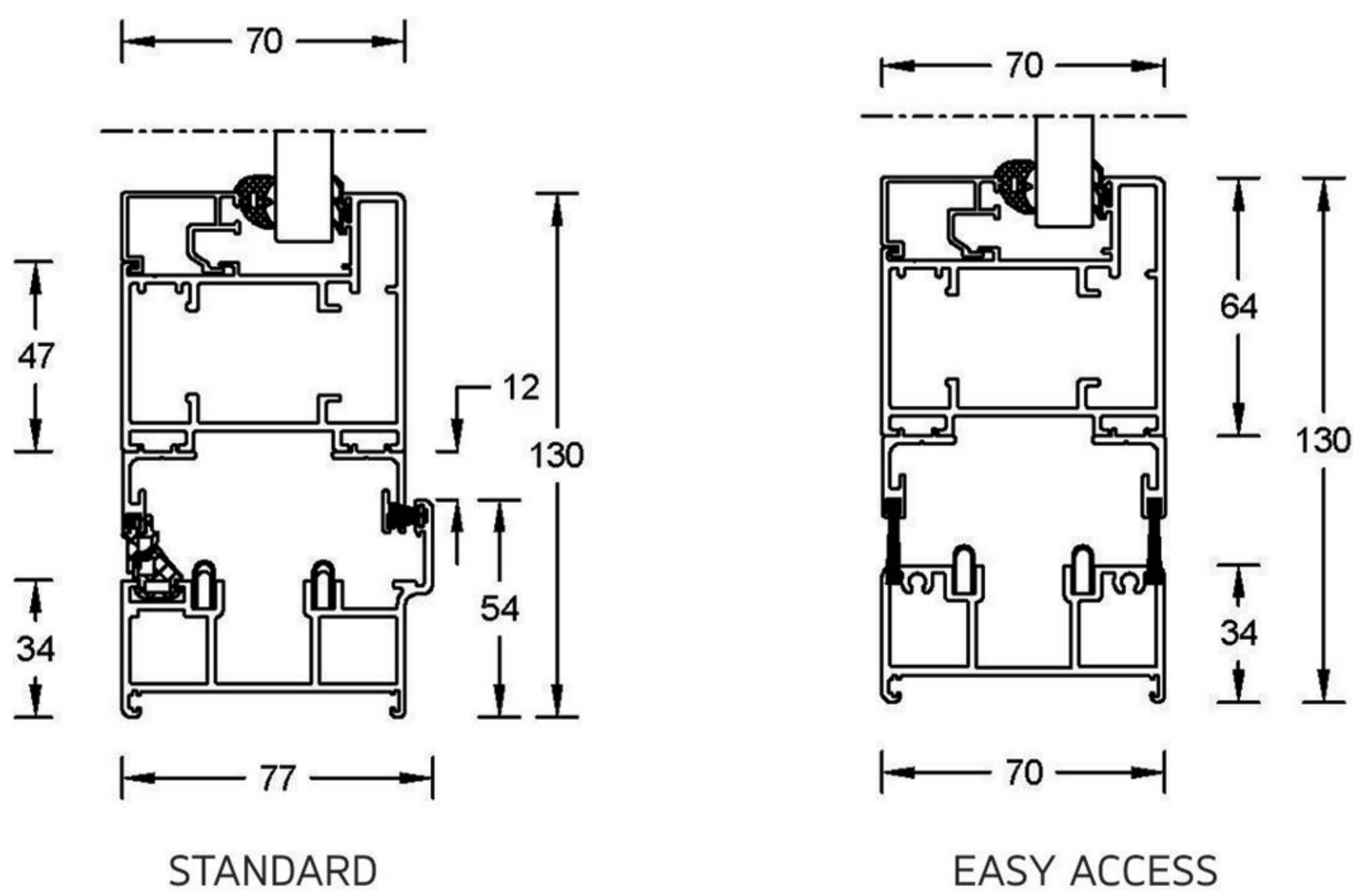
SYSTEM

Depth	70mm
Center Profile	140mm

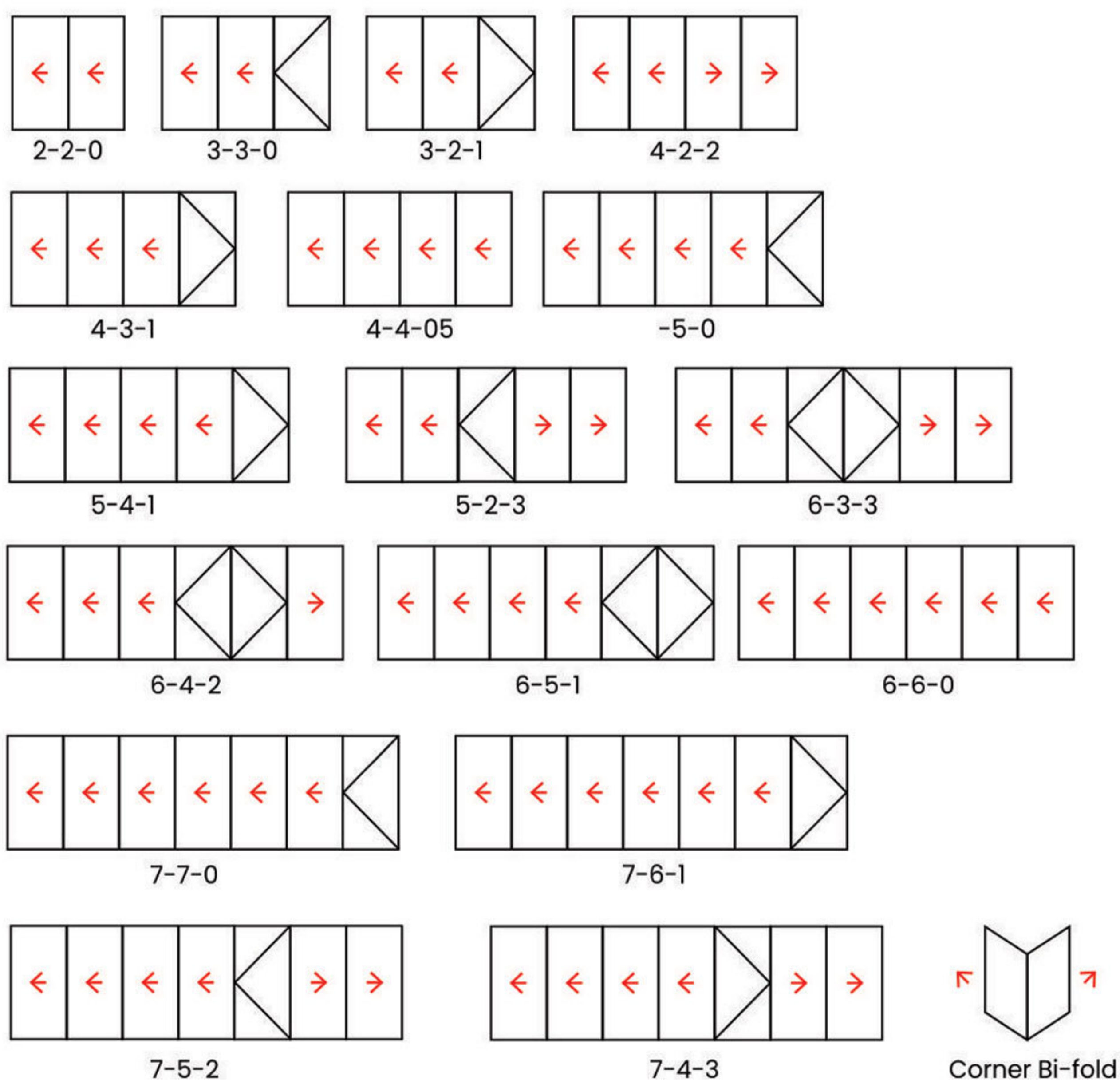
GLAZING

Maximum Glazing Thickness	13.52mm-40mm
---------------------------	--------------

CAD CROSS-SECTION



CONFIGURATION



SV39 Folding Doors

The Weatherseal SV39 folding door system provides an elegant and innovative application choice for balcony doors, eliminating the separation between the internal and external environment, and offering a wide opening. The SV39 folding door/window system is perfectly suitable for all types of construction. It gives the possibilities to protect and allows all commercial, public and domestic premises to offer large openings, where light and openness can literally change everything!



DESIGN FEATURES

- › System adapted for large dimensions up to 2400 mm high and 750 mm wide per sash
- › In the folded position, the folding door offers a minimum passage of up to 95% of total opening width
- › Glass infill from 4 to 24 mm. Single or double glazing
- › Max weight: Up to 70 kg per sash
- › High level of performance (weather tightness) and finger protection obtained by the double gasket barrier (central and peripheral)
- › Smooth operation, design and ergonomics facilitate the opening and closing of the panels.
- › Opening frames are guided by a roller rail at the top. Bottom rail can be embedded

SPECIFICATIONS

PERFORMANCE AND ACCREDITATIONS

Air Permeability (Standard Threshold)	Class 2 (300 Pa)
Water Tightness (Standard Threshold)	Class 4A (150 Pa)
Wind Resistance	Class B (1200 Pa)

CONFIGURATIONS

Opening	Open-in
---------	---------

SIZE AND WEIGHT LIMITS

Max Leaf Height	2400mm
Max Leaf Width	750mm
Max Vent Weight	75kg

SYSTEM FEATURES

Single Colour	Yes
Textured Finish	Yes
Anodised Finish	Yes
Lock with Key	Pop-up Handle, Multipoint
Multi-Point Locking	Yes

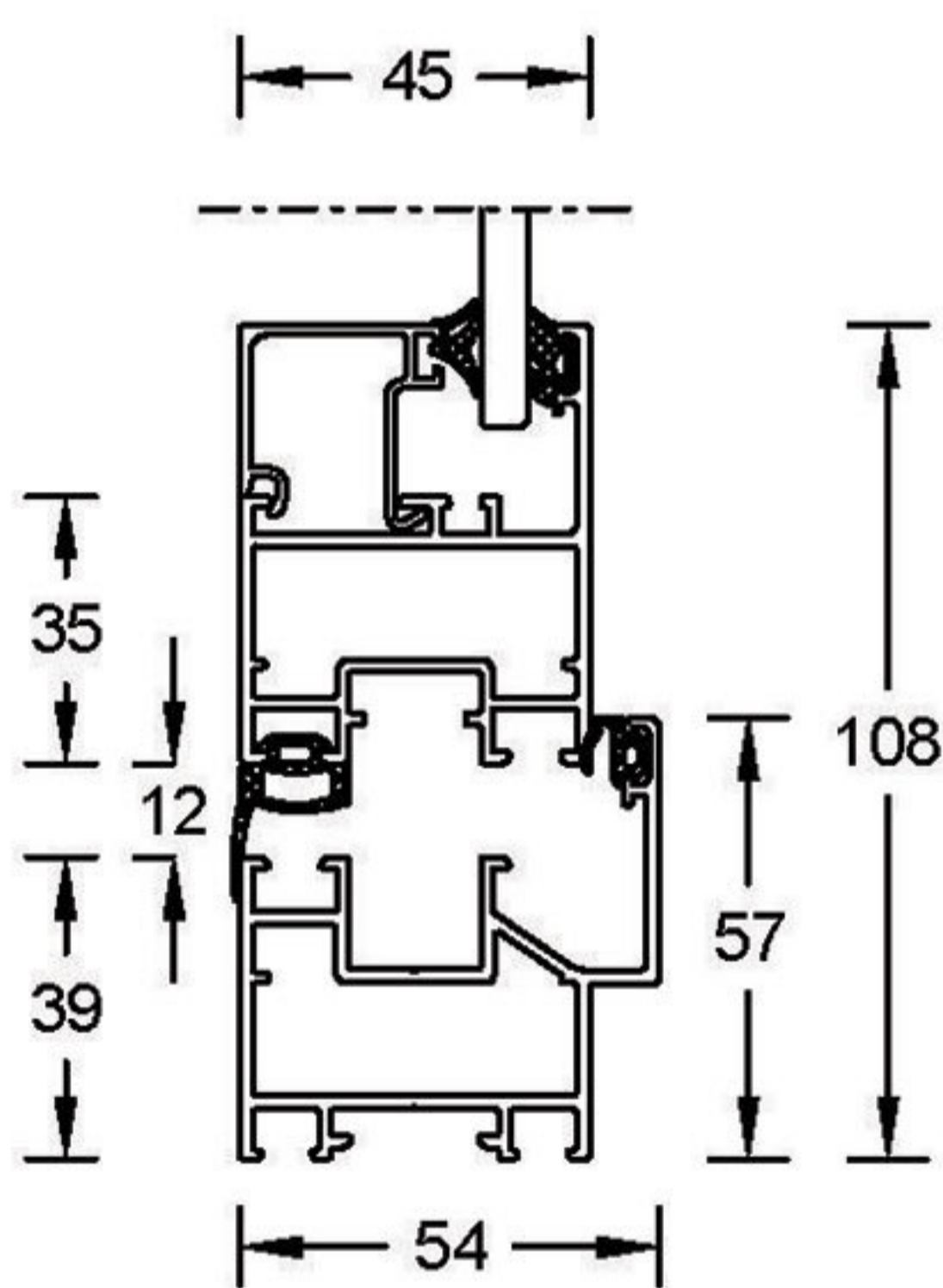
SYSTEM

Depth	45mm
Center Profile	124mm

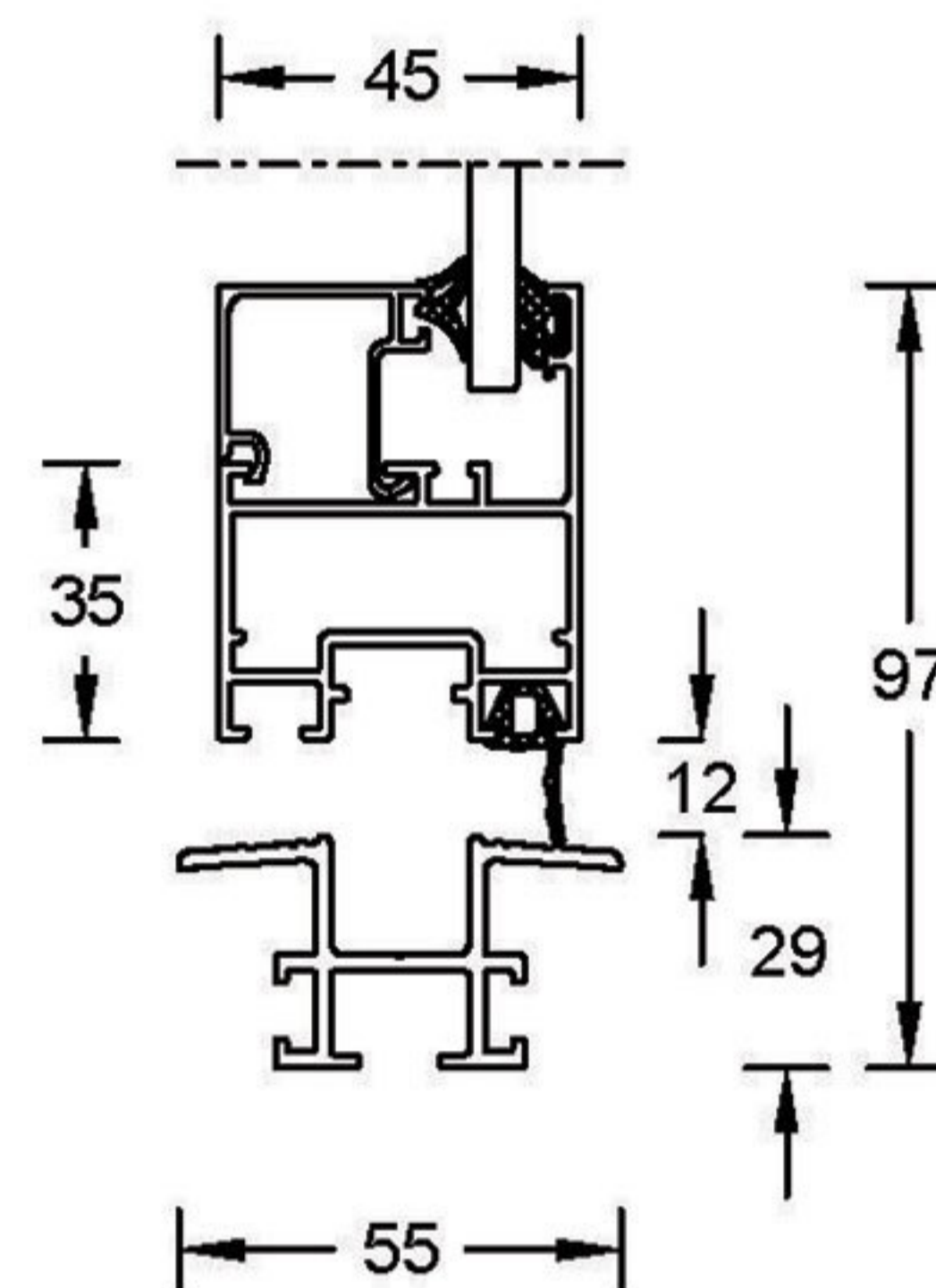
GLAZING

Maximum Glazing Thickness	6mm-24mm
---------------------------	----------

CAD CROSS-SECTION

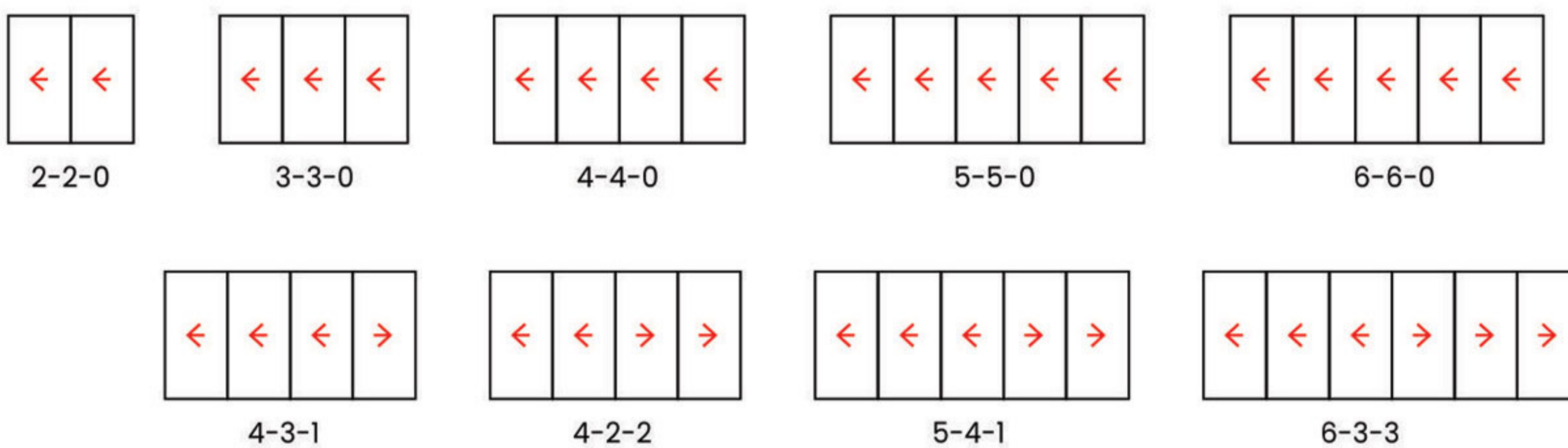


STANDARD

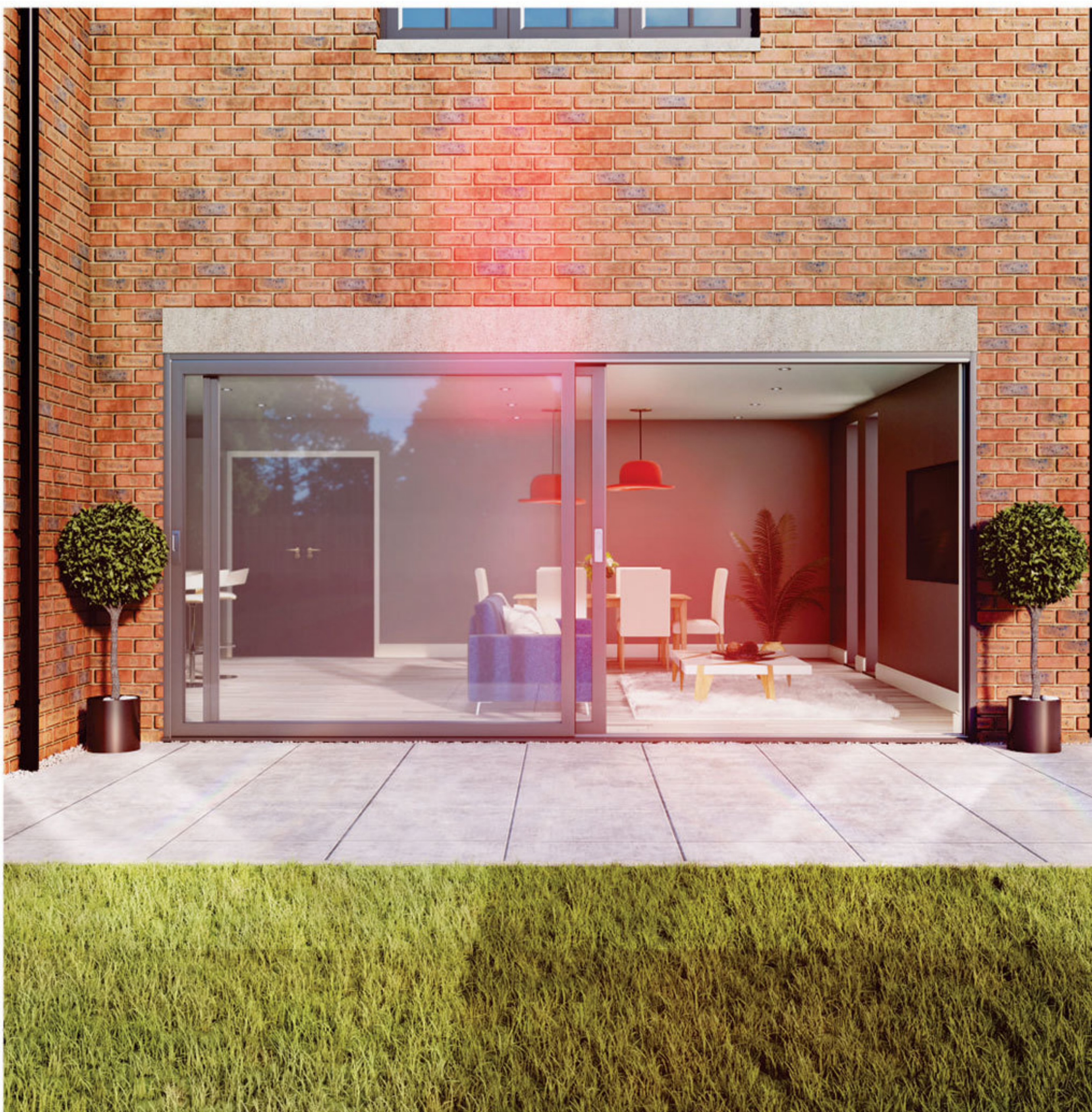


EASY ACCESS

CONFIGURATION







Contact us

Bangalore

Near: BMTC, Bus Depot, 440, 18th Main,
80 Feet Rd, 6th Block, Bengaluru,
Karnataka 560095

Delhi

A 268 First Floor,
Block A, Defence Colony,
New Delhi, Delhi 110024

Hyderabad

Kingston Heights, Road No. 2,
Next to Birth Place Hospital, Banjara Hills,
Hyderabad, Telangana 500034

Chennai

New no.315/2, Old No.235/2, 1st Floor, Anna Salai,
Ellaiamman Colony, Teynampet,
Chennai, Tamil Nadu 600018

P : +91 - 7676-51-9999

E : sales@weatherseal.in

w : www.weatherseal.com